

Clippard

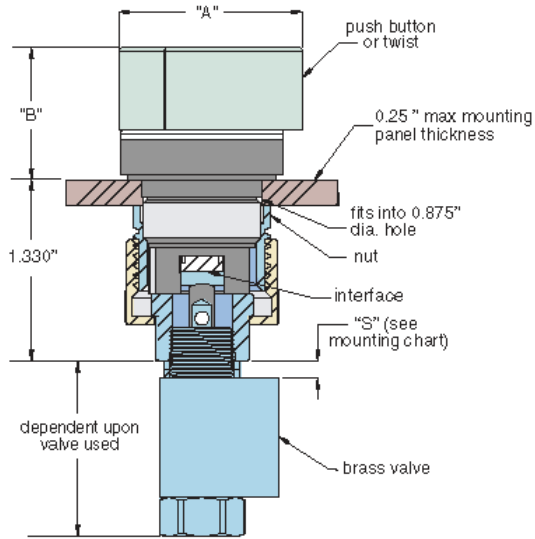
Push Buttons

PL-P4K-B



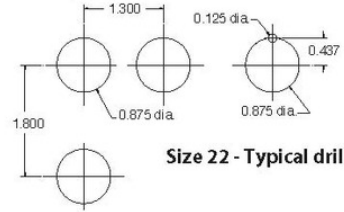
Clippard offers push button actuators for use with a large variety of stem-operated valves. They can be used on individual stem valves or in panel mounting applications. These actuators are available in a variety of colors, allowing you to color code, or easily differentiate between valves when designing control systems. The design allows complete actuation of the valve with no over-travel or side load to the valve assuring superior performance and long life.

Color	Black
Mount	30 mm Thread
Product Line Brochure	Mechanical Valves
Style	Push Key Push Button
Unit	Imperial

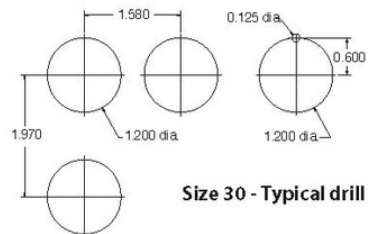


Mounting Clippard Manual Actuators

These drill plans are for units fitted with optional anti-rotation ring



Size 22 - Typical drill plan



Size 30 - Typical drill plan

PB-22-X Adapter			
Actuator	Adapter	"A"	"B"
P22-P2F	PB-22-P	1.200"	0.450"
P22-P2E	PB-22-P	1.200"	0.650"
P22-P2M	PB-22-P	1.600"	0.850"
P22-L3M	PB-22-K	1.450"	1.000"
P22-L4M	PB-22-K	1.450"	1.200"
P22-T2T	PB-22-T	1.200"	0.925"
P22-T3T	PB-22-T	1.200"	0.925"
P22-T3K	PB-22-T	1.200"	1.000"
P22-K3K	PB-22-T	1.200"	1.000"

Mounting Chart for Clippard Valves
The following chart gives the necessary spacing required between the shoulder of the valve and the base of the adapter. Two 1/16" spacers are furnished with each adapter.

Spacer Requirements

Valves	Spacer
HV-3, -4	None
MAV-2, -2P, -2R, -3R, -3, -3P	None
GV-2, -3	1/8"
MAVO-2, -3	None
MJV-2, -3	1/8"
MJVO-2, -3	None
MAV-4, -4D	None
MJV-4, -4D	None
ES-1	None
FV-3, -3P, -3D, -3DP	1/8"
FV-4, -4P, -4D, -4DP	1/8"
FV-5, -5P, -5D, -5DP	1/8"

PB-22-x Adapter Installation

1. Remove plastic locking nut from actuator (not used)
2. Press interface into actuator
3. Insert actuator into hole in panel
4. Thread panel adapter nut onto actuator
5. Align actuator, tighten up to panel
6. Insert swivel adapter into hole in housing
7. Slide spacers onto thread of valve (if needed)
8. Thread valve onto swivel adapter
9. Thread housing onto panel adapter
10. Align as needed, tighten all connections

Valve	Spacer
MAV-2, -2P, -2R, -3R, -3, -3P	None
MAVO-2, -3	1/8"
MJV-2, -3	None
MJV-4, -4D	None
ES-1	None
FV-3, -3P, -3D, -3DP	1/8"
FV-4, -4P, -4D, -4DP	1/8"
FV-5, -5P, -5D, -5DP	1/8"

Adapter	Actuator
PB-22-P	P22-P2F- P22-P2E- P22-P2M-
PB-22-K	P22-L3M- P22-L4M-
PB-22-T	P22-T2T- P22-T3T- P22-T3K- P22-K3K-

