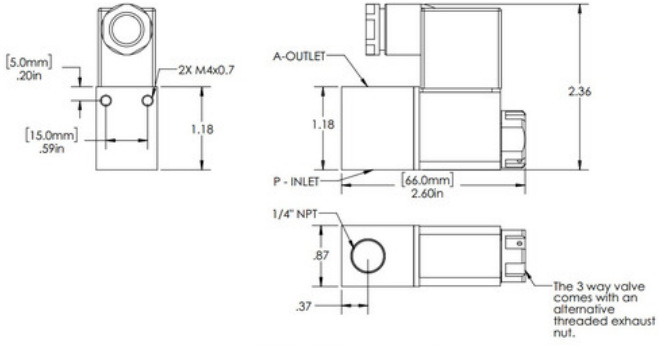


## MME-3QDS-W012



1/4" NPT Direct Acting 3-Way Solenoid Valve, 12 VDC Wire Leads



UNLESS OTHERWISE SPECIFIED:		NAME	DATE
DIMENSIONS ARE IN INCHES	DRAWN		
TOLERANCES FRACTIONAL	CHECKED		
DECIMALS	ENG APPR.		
THIRD PLACE DECIMAL	MFG APPR.		
FIFTH PLACE DECIMAL	C.A.		
SEVENTH PLACE DECIMAL	COLUMBIA		

CLIPPARD INST. LAB. INC.  
TITLE:

PROPRIETARY AND CONFIDENTIAL