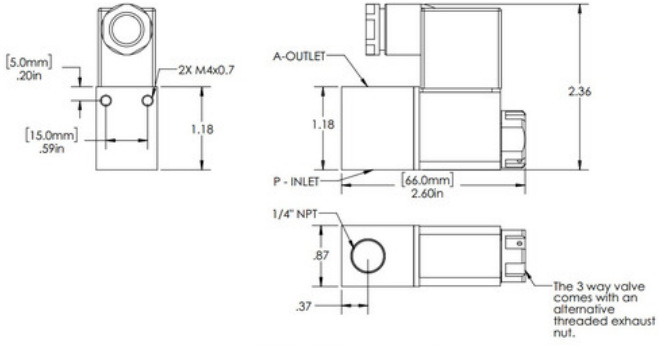


MME-3QDS-D024



1/4" NPT Direct Acting 3-Way Solenoid Valve, 24 VDC DIN



UNLESS OTHERWISE SPECIFIED:		NAME	DATE
DIMENSIONS ARE IN INCHES	DRAWN		
TOLERANCES FRACTIONAL	CHECKED		
DECIMALS	ENG APPR.		
FIRST PLACE DECIMAL .1	MFG APPR.		
SECOND PLACE DECIMAL .01	C.A.		
THIRD PLACE DECIMAL .001	COLLUSIVE		

CLIPPARD INST. LAB. INC.
TITLE:

PROPRIETARY AND CONFIDENTIAL