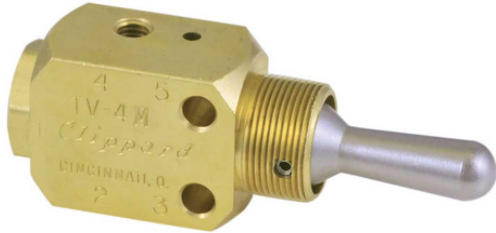


Clippard

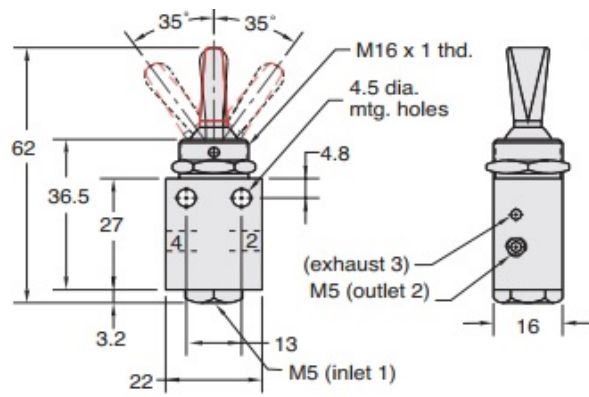
TV 4-Way Toggle Valves

M-TV-4DMH



4-Way 3-position toggle valves with outlet ports open to atmosphere in the center position. The valve can be spring center, 3-position detent or the "DM" provides a detent on one side and spring return on the other side. The TV-DM model can be used on the momentary side as a "jog" or manual control, and with the detented side for an automatic or "run" mode.

Actuation	Detented/Momentary
Air Flow	125 l/min @ 3.4 bar; 210 l/min @ 7 bar
Force to Rotate Toggle	8 oz. nominal
Included Item(s)	Nut & Lockwashers
Input PSI	10 bar max.
Material, Body	Brass
Material, Spring	Stainless Steel
Material, Toggle	Nickel-Plated Brass
Medium	Air
Mount	M16 x 1.5 thread
Port	M5
Product Line Brochure	Mechanical Valves
Seals	Nitrile Std., FKM & Krytox Optional
Unit	Metric
Weight (lbs.)	0.1800



Units: Millimetres

