

Right Angle Flow Controls

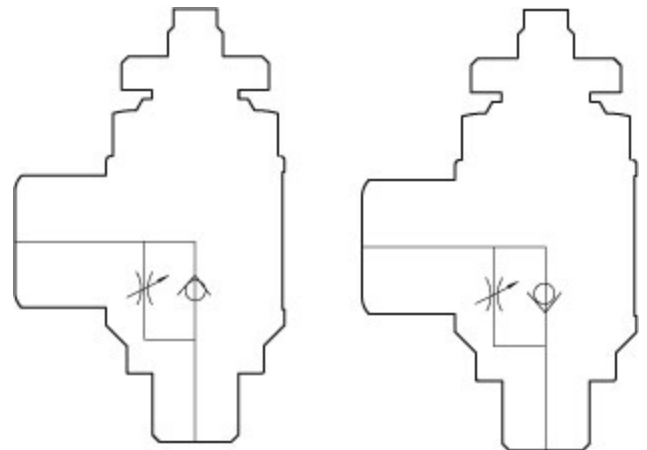
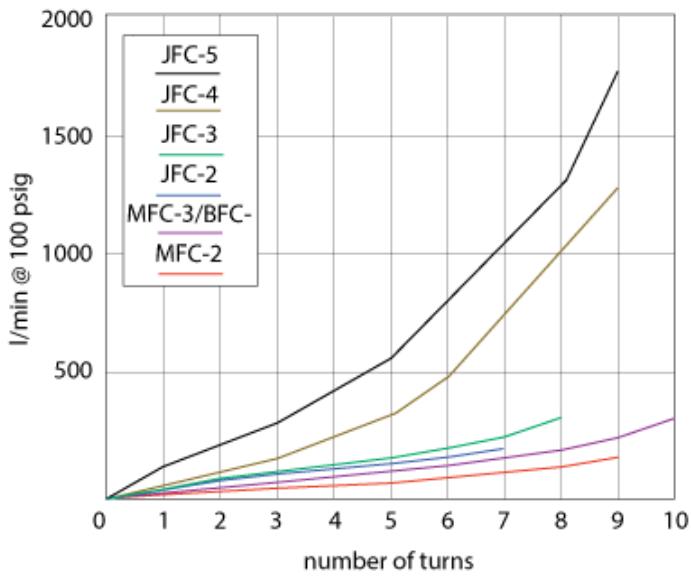
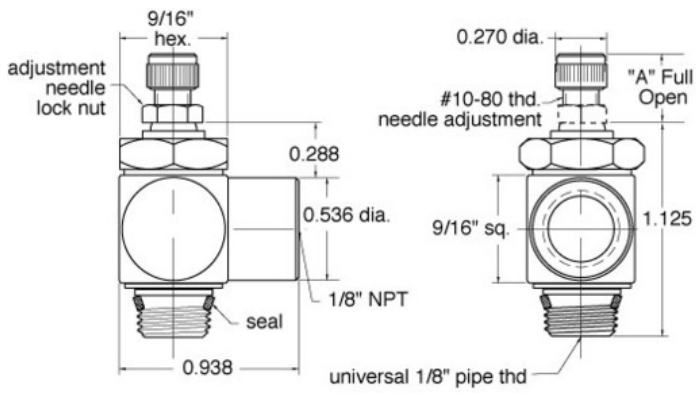
JFC-3B



These combination needle and check valve flow controls are typically used to control air flow from air cylinders, thereby controlling the speed at which the piston strokes, either while extending or retracting, depending on their location in the circuit.

Flow control valves allow free flow from the inlet to the outlet past the needle and check valve. In reverse flow, from the outlet to the inlet, the check valve is sealed and the flow must now pass through the metered passage controlled by the tapered adjustment needle.

Adjustment	Knurled Knob
Air Flow	310 l/min @ 100 psig (adjustable)
Flow Control Mount (Inlet/Outlet)	1/8" NPT/1/8" NPT F. Side
Input PSI	150 psig max.
Material, Body	Nickel-Plated Brass, Plastic Resin, Stainless Steel Gripper Ring
Material, Seals	Nitrile
Medium	Air, Water or Oil
Meter Out / Meter In	Meter In
Mount	Panel or In-Line
Pressure to Open	Cracks at approximately 2 psig
Product Line Brochure	Mechanical Valves
Seals	Nitrile
Temperature Range	32 to 230°F
Weight (lbs.)	0.1300



meter out (A)

meter in (B)

