

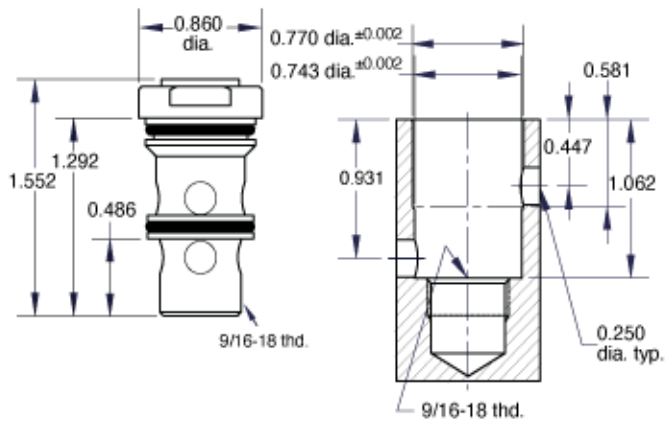
## GNV Needle Valves

### GNV-5RC



Needle Valves are used to control the rate of flow in a pneumatic system by controlling flow in both directions. Material enters the input port, travels through an adjustable orifice and out the output port.

<b>2D File</b>	<a href="#">2D File</a>
<b>Adjustment</b>	Screwdriver Slot
<b>Air Flow</b>	1700 l/min @ 100 psig
<b>Input PSI</b>	300 psig (21 bar) max.
<b>Material</b>	Electroless Nickel Plated Brass Needle & Body, Anodized Aluminum Housing
<b>Material, Seals</b>	Nitrile
<b>Medium</b>	Air, Water or Oil
<b>Mount (Threads )</b>	Cartridge (Flow 5)
<b>Notes</b>	Rotating input allows 360° positioning. Ideal for use with Clippard Push-Quick Fittings.
<b>Product Line Brochure</b>	<a href="#">Mechanical Valves</a>
<b>Technical Data Sheet</b>	<a href="#">Data Sheet</a>
<b>Weight (lbs.)</b>	0.2500



Pressure vs. Flow

