

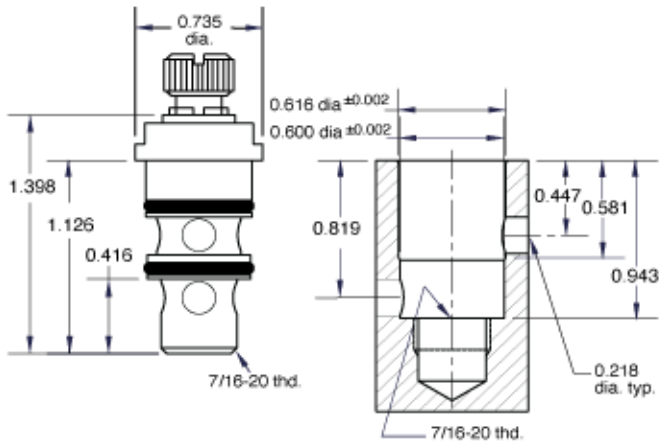
GNV Needle Valves

GNV-4KC



Needle Valves are used to control the rate of flow in a pneumatic system by controlling flow in both directions. Material enters the input port, travels through an adjustable orifice and out the output port.

2D File	2D File
Adjustment	Knurled Knob
Air Flow	1250 l/min @ 100 psig
Input PSI	300 psig (21 bar) max.
Material	Electroless Nickel Plated Brass Needle & Body, Anodized Aluminum Housing
Material, Seals	Nitrile
Medium	Air, Water or Oil
Mount (Threads)	Cartridge (Flow 4)
Notes	Rotating input allows 360° positioning. Ideal for use with Clippard Push-Quick Fittings.
Product Line Brochure	Mechanical Valves
Technical Data Sheet	Data Sheet
Weight (lbs.)	0.2500



Pressure vs. Flow

