

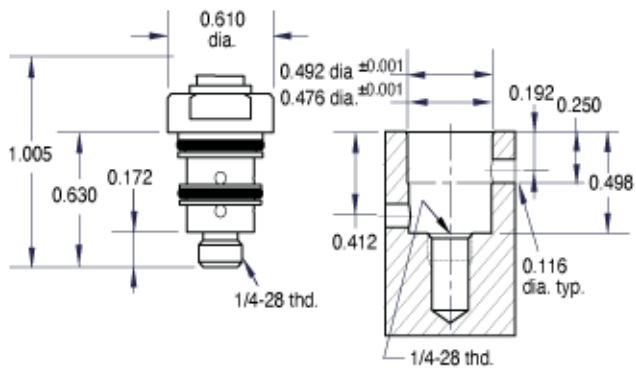
GNV Needle Valves

GNV-3RC



Needle Valves are used to control the rate of flow in a pneumatic system by controlling flow in both directions. Material enters the input port, travels through an adjustable orifice and out the output port.

2D File	2D File
Adjustment	Screwdriver Slot
Air Flow	310 l/min @ 100 psig
Input PSI	300 psig (21 bar) max.
Material	Electroless Nickel Plated Brass Needle & Body, Anodized Aluminum Housing
Material, Seals	Nitrile
Medium	Air, Water or Oil
Mount (Threads)	Cartridge (Flow 3)
Notes	GNV-3 Series features a stainless steel needle.
Product Line Brochure	Mechanical Valves
Technical Data Sheet	Data Sheet
Weight (lbs.)	0.2500



Pressure vs. Flow

