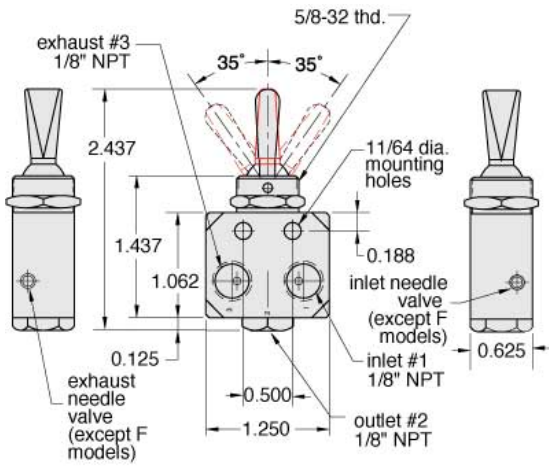


Clippard

FBV-3DP

Air Flow	85 l/min @ 50 psig; 140 l/min @ 100 psig
Weight (lbs.)	0.2100



Obsolete

