

ECLIPSE

2-WAY STEPPER-CONTROLLED PROPORTIONAL ISOLATION VALVES



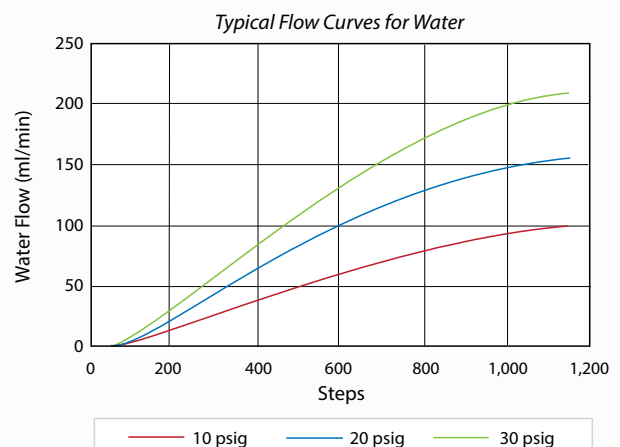
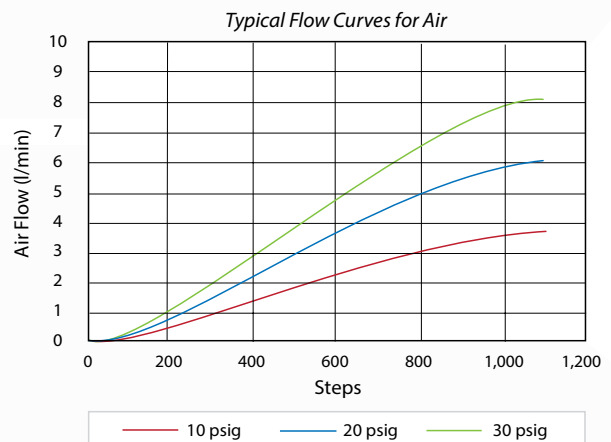
Utilizing the industry's most robust and powerful miniature linear actuator, the patent pending stepper-controlled proportional valve leads the industry in performance, durability and precise flow control.

This valve is ideal in critical applications for liquid and gas delivery, medical, analytical and industrial automation requiring high resolution and excellent repeatability. In addition, the unique design allows for custom flow profiles.

- Leak free (<0.05 sccm)
- Excellent Linearity (<4% of full-scale)
- Fast Response (<2 ms reaction time)
- Cycle Life of Typically >1 million
- Repeatability: <0.5% of Full Travel

Medium	Liquids and gases
Typical Cycle Time for Full Travel	1.1 seconds at 1,000 steps per second
Wetted Material	Ceramic (others depending on porting option)
Pressure Range	Vac to 30 psig*
Proof Pressure (Overpressure)	50 psig
Flow Range*	<i>Air:</i> 0 to 8 l/min -0/+10% (0.28 scfm) @ 30 psig <i>Water:</i> 0 to 210 ml/min -0/+10% (0.0074 scfm) @ 30 psig
Flow Resolution	0.19 ml/min water and 0.007 l/min air max @ 30 psig per full step depending on pressure
Position Resolution	0.00006" per step
Ambient/Environment	32 to 180°F
Driver	Bipolar chopper drive required
Supply Voltage to Motor Driver	20 VDC @ 30 psig
Current/Phase	0.49 amps
Mounting	Manifold or flat bottom (ZDVF)
Power Consumption	2.5 watts nominal only during adjustment. Zero power consumption to maintain position.
Seals	<i>Valve:</i> None <i>Port:</i> FKM standard. EPDM and others upon request
More Details	clippard.com/link/eiv

*This product is highly modifiable for OEM applications including alternate body materials, flow profiles, pressure ranges, manifold mounting, etc. Please consult Clippard.



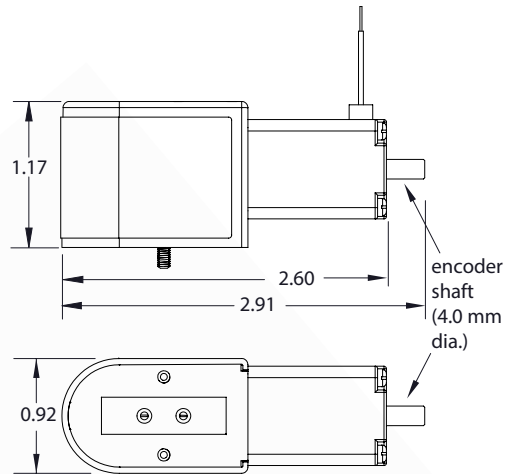
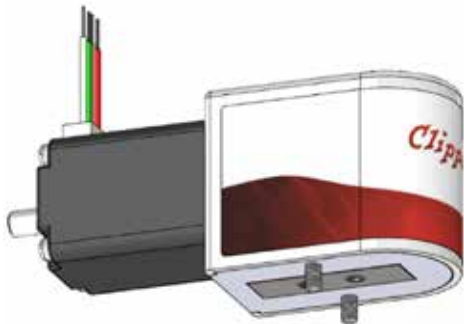
Clippard

877-245-6247 | clippard.com

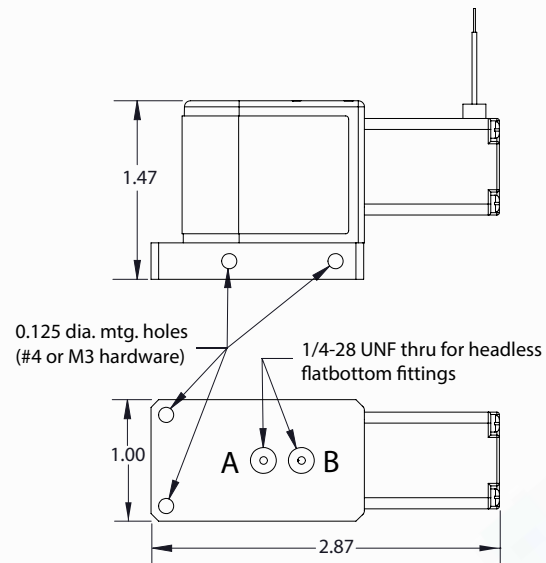
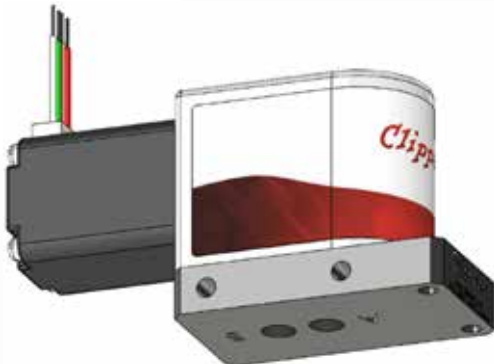
ORDERING INFORMATION

Series	Model	Porting	Seals	Encoder Shaft
EIV Eclipse Valve	U-	M Manifold Z Zero Dead Volume Fitting (ZDVF)	(blank) ZDVF Porting -V FKM	-ENS Encoder Shaft
Example Part No. EIVU-M-V-ENS				

EIVU-M (shown with -ENS Encoder)



EIVU-Z Series



Clippard Accessories

- EUM-01** Single-Station Manifold, #10-32
- M-EUM-01** Single-Station Manifold, M5x0.8
- SCPVD-1** Bipolar Chopper Driver
- ZDVF-18** Headless 1/4-28 Flatbottom Fitting, 1/8" OD (IDEX p/n XP-348)

Other Recommended Accessory

- Miniature optical encoder from US Digital for 4 mm bore with metric screws (p/n E4T)



Manifold Layout

