



CORDIS HIGH PRESSURE PROPORTIONAL PRESSURE CONTROLS



Precise, linear pressure control within a closed-loop system with high accuracy and repeatability

Medium	Clean, dry, non-corrosive gases
Wetted Material	<i>Sensor: Stainless Steel, Manifold: Anodized Aluminum, Valves: Nickel-Plated Brass Body & Viton Core</i>
Valve Type	Normally-Closed
Operating Pressure Range	0 to 500 psig
Max. Inlet	550 psig
Typical Response Time	<20 ms (application dependent)
Accuracy	±0.5% of Full Scale
Resolution	≤50 mV
Max. Hysteresis	≤0.25%
Linearity	≤0.2%
Port Size	1/8" NPT, G1/8
Temperature Range	32° to 180°F
Mounting Attitude	Any
Filtration	40 micron
More Details	clippard.com/link/cordis

Equipment used for test and calibration is NIST Traceable



Clippard's newly-designed high pressure electronic valves provide fast, stable control of pressure

Known for reliability, innovation and focus on miniature pneumatics, Clippard's new Cordis controls utilize the proven EV line of electronic valves allowing for steady, repeatable downstream pressure under static conditions. The result, a precise linear pressure control within a closed-loop system.

The Cordis uses a microcontroller, integrated pressure sensor, and two Clippard EV electronic valves. The inlet valve is connected to the moderately regulated supply pressure and the exhaust valve is connected to a port that vents excess pressure to atmosphere. Once a command is increased, the inlet valve opens up to allow supply pressure to pass over the sensor element which provides an active feedback for the microcontroller to satisfy the set point in the process. If at any point the sensor detects a value higher than the set point, the exhaust valve will modulate open to vent off the excess pressure to maintain a stable and accurate control pressure in the process.

The Cordis is adaptable to a variety of sensors that can close the loop around pressure.

Consult Clippard for application specifications to confirm viability.

- Smooth linear control
- Integrated internal or external sensor feedback
- Static applications
- Customizable pressure ranges and mounting options

Voltage	15 to 24 VDC
Current Draw	<250 mA max.
Protection Rating	IP65
Signal/Command	<i>Electrical: 0 to 10 VDC or 4 to 20 mA Serial: 3.3 VDC</i>



ORDERING INFORMATION

Model	Type	Porting	Signal/Command	Calibrated Pressure Range	Min. Volume/Flow @ Max. Pressure*
CHP- Cordis Pressure Control	H Housed Unit	F 1/8" NPT G G1/8	E 0 to 10 VDC	-2G 0 to 200 psig	G ≥0.75 in ³ / 3.0 l/min H ≥1.00 in ³ / 6.5 l/min I ≥2.00 in ³ / 12.5 l/min
			R 3.3 VDC Serial	-3G 0 to 300 psig	
			I 4 to 20 mA	-5G 0 to 500 psig	
				-2M 0 to 13 bar	
				-3M 0 to 20 bar	
				-5M 0 to 34 bar	

Example Part No. CHP-HFE-3GH

Accessories

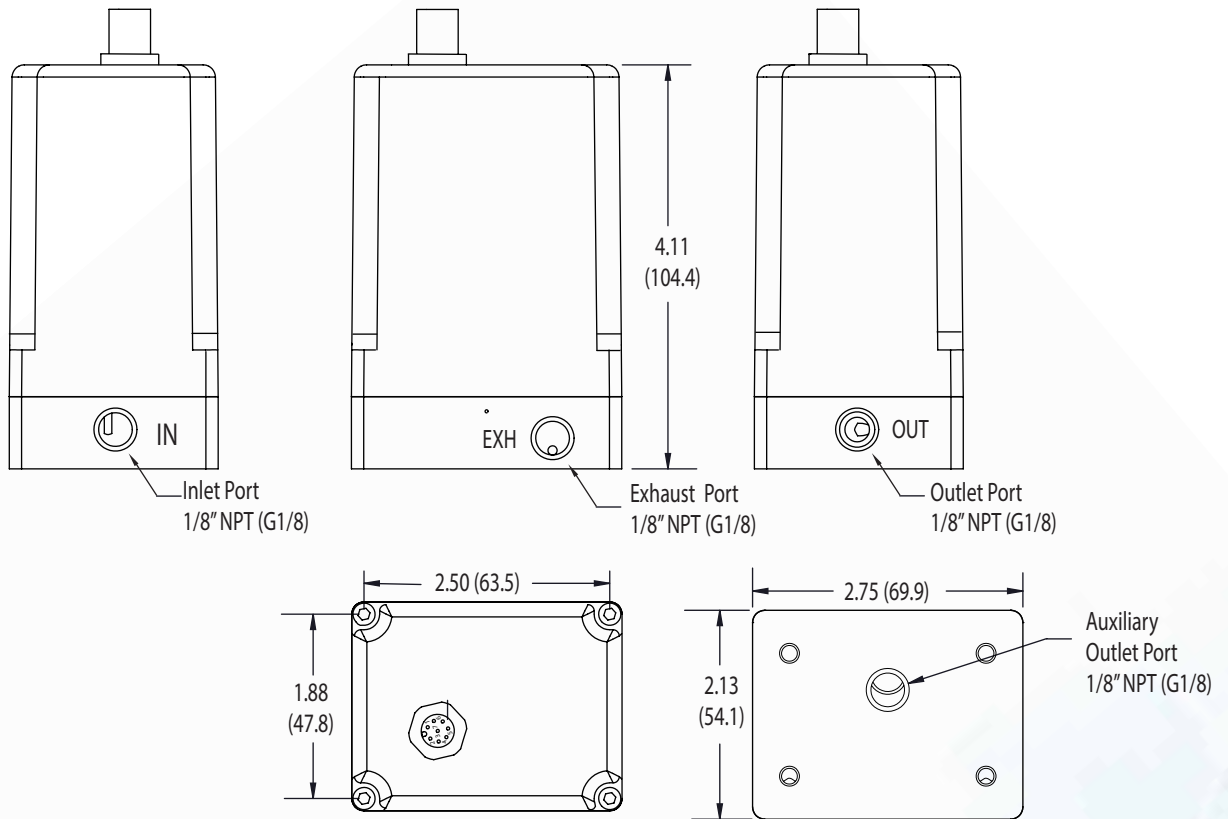
CPCH-C1 Actuation Cable, 8-Pin, 6'

CPCH-C2 3.3 VDC Serial Cable, 3'

CPCH-B2 Mounting Bracket

**All flow ranges are factory tested at 100 psig on the process side*

Consult Clippard for availability of non-standard commands and other options.



PROFESSIONALLY DISTRIBUTED BY:

877-245-6247 | clippard.com

CLIPPARD INSTRUMENT LABORATORY, INC. • ISO 9001 • TDS 2.20
For warranty and disclaimer information, visit clippard.com/warranty

