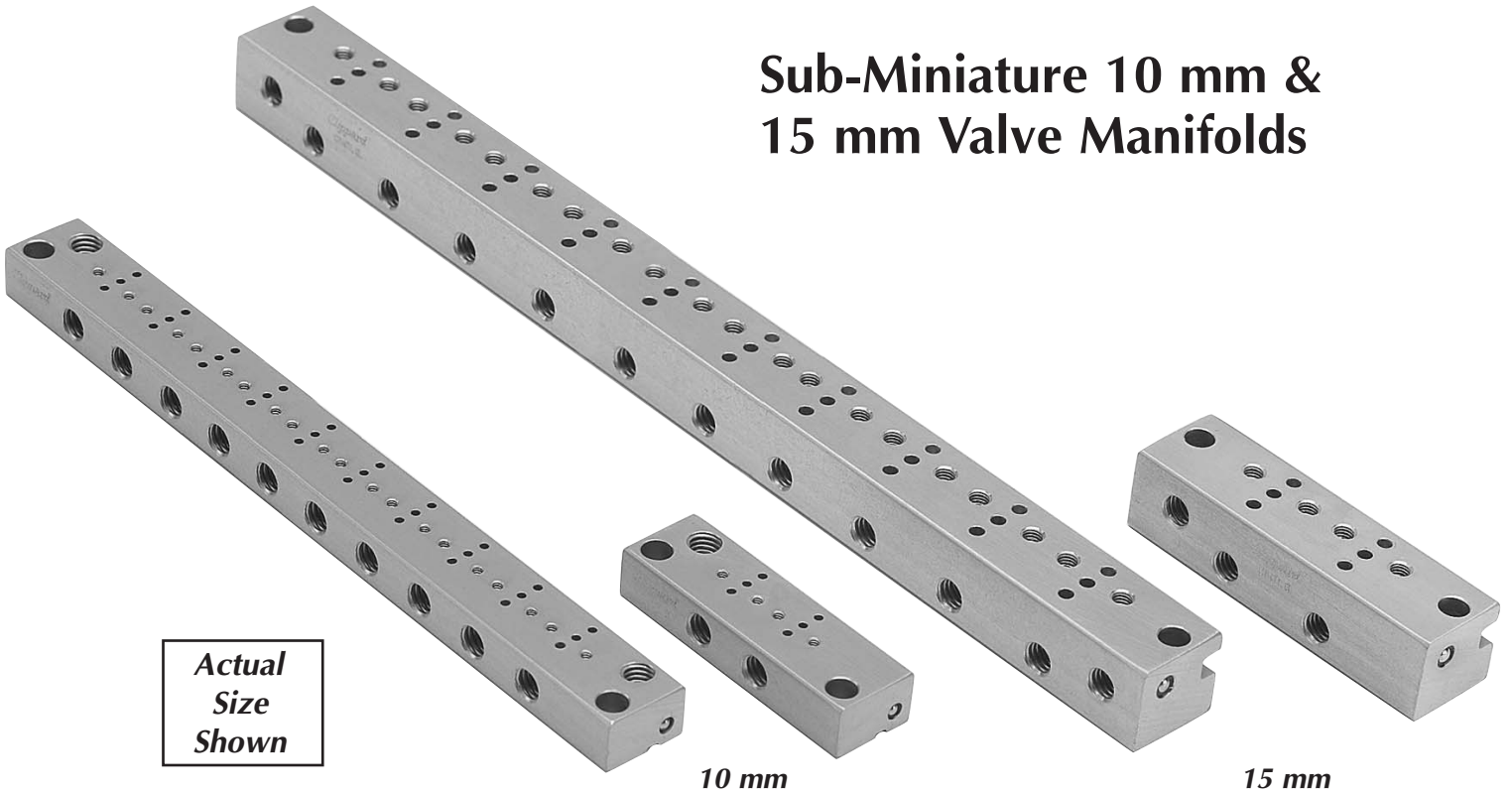




Sub-Miniature 10 mm & 15 mm Valve Manifolds



**Actual
Size
Shown**

10 mm

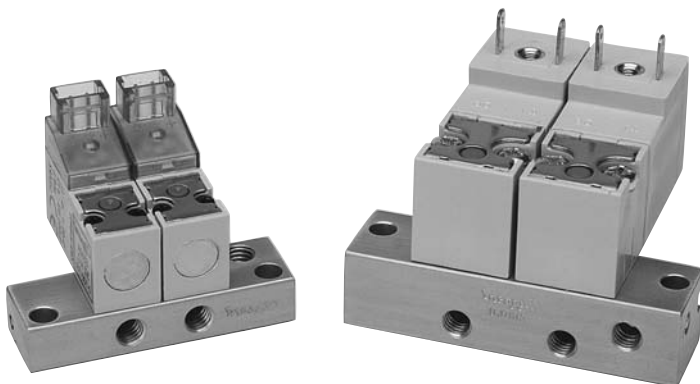
15 mm

Features

- Extremely small size saves space
- Dual supply ports standard on longer manifolds for higher capacity flow
- In stock for immediate delivery

Small, compact sub-miniature manifolds are designed for use with Clippard's 10 and 15 mm solenoid valve series. They offer the efficient grouping of valves along with fast installation. Each manifold features a common inlet, individually-ported outlets, and exhaust to atmosphere. Units are single sided, and available with 2, 4, 6, 8, 10, 12, 14 and 16 stations.

Inlet & Outlet Ports: #10-32 UNF
Mounting: #8-32 mounting screw (hole can be tapped #10-32)
Material: Clear Anodized Aluminum

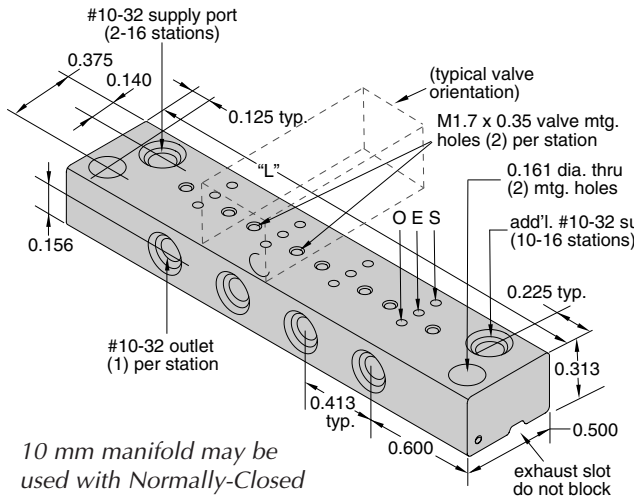


Two 10 mm and 15 mm valves shown on 2-station manifolds

Cover Plates Available

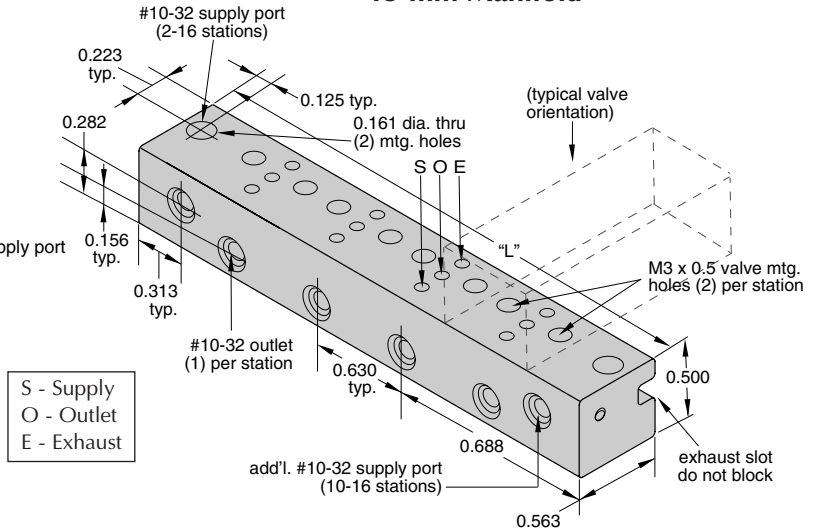
Order No.
E10M-CP 10 mm Cover
E15M-CP 15 mm Cover

10 mm Manifold



10 mm manifold may be used with Normally-Closed valves only.

15 mm Manifold



Stations	Supply Ports	10 mm Order No.	Length "L"	15 mm Order No.	Length "L"
2	1	E10SM-02	1.611"	E15SM-02	2.005"
4	1	E10SM-04	2.437"	E15SM-04	3.265"
6	1	E10SM-06	3.263"	E15SM-06	4.525"
8	1	E10SM-08	4.089"	E15SM-08	5.785"
10	2	E10SM-10	4.915"	E15SM-10	7.045"
12	2	E10SM-12	5.741"	E15SM-12	8.305"
14	2	E10SM-14	6.567"	E15SM-14	9.565"
16	2	E10SM-16	7.393"	E15SM-16	10.822"



Clippard offers a complete line of 2- and 3-way 10 mm and 15 mm valves in either Normally-Open or Normally-Closed configurations. These are perfect for small and compact areas where pneumatic controls are needed.

For more information, visit www.clippard.com/10-15mm.

Disclaimer & Limited Warranty

All information contained in this publication is for reference only. Proper design engineering procedures should be used to assure any compliance. Clippard Instrument Laboratory, Inc. reserves the right to make changes without notice and does not warrant or guarantee the information contained herein.

Limited Warranty. Clippard Instrument Laboratory, Inc. (seller) warrants its products to be free from defects in material and workmanship for a period of one (1) year from the date of sale. Seller's liability shall be limited at seller's option to repair, replace or refund the purchase price of product found by seller's examination to be defective. All claims under this warranty must be made in writing to seller's factory sales department giving full details, prior to return of product, postpaid, to factory. Seller shall not be responsible for product failure due to normal wear, accident, buyer's misapplication, abuse, neglect or alteration of product. Seller will not be responsible for any consequential damages. Clippard Instrument Laboratory, Inc. makes no other warranty of any kind, expressed or implied. All technical data and operations are average values based on standard production models. Some deviations can be expected and consideration should be given during initial design stages. All operating characteristics are based on new equipment, under normal conditions of use and environments, and a clean air supply.

Distributed By:



Clippard Instrument Laboratory, Inc.
7390 Colerain Avenue • Cincinnati, OH 45239
513-521-4261 • Fax 513-521-4464 • www.clippard.com