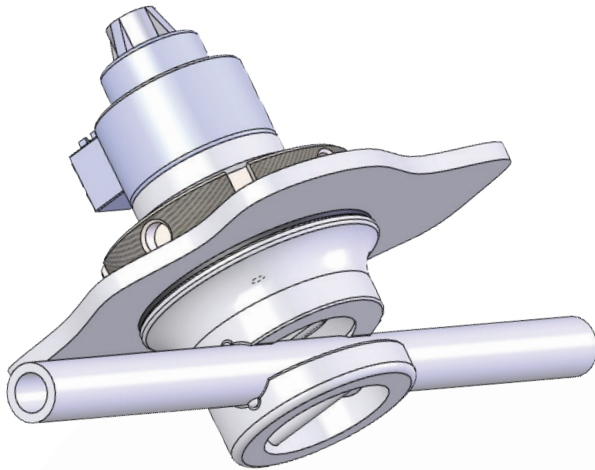


# PPV PROPORTIONAL PINCH VALVE



<b>Function</b>	2-way proportional
<b>Material, Body</b>	ENP aluminum
<b>Material, Seals</b>	FKM
<b>Material, Wetted</b>	TPE tubing ( <i>no wetted areas in valve</i> )
<b>Medium</b>	Air, water, gas, or compatible fluids
<b>Mount</b>	Panel ( <i>gasketed</i> )
<b>Operating Pressure</b>	20 to 30 psig (1.5 to 2 bar)
<b>Panel Thickness</b>	0.250" (6.4 mm) max.
<b>Temperature, Ambient</b>	32 to 180°F (0 to 82°C)
<b>More Details</b>	<a href="http://clippard.com/link/ppv">clippard.com/link/ppv</a>

Clippard's PPV series pinch valve proportionally controls the flow of liquids and gases by pinching a tube set using a high force, high accuracy stepper-driven linear actuator. Its unique design features enable you to take your applications to the next level by providing proportional resolution and linearity that far exceed those of competing models (see chart below).

As with all Clippard pinch valves, the only wetted material is the tubing, which is a medical and pharmaceutical grade thermoplastic elastomer developed to be an excellent alternative to silicone. In addition, the PPV's gasketed panel mount design makes it ideal for applications where sterility and washdown procedures are required.

## ELECTRICAL SPECIFICATIONS

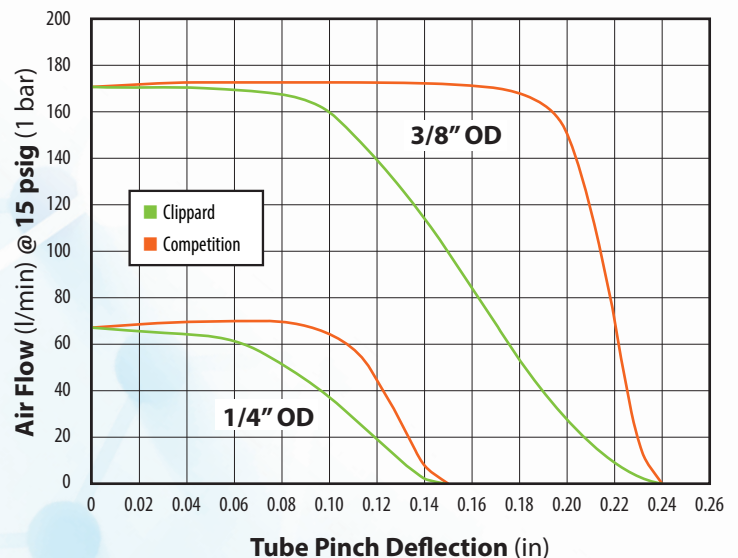
<b>Driver</b>	Bipolar chopper drive
<b>Supply Voltage</b>	5 VDC to motor
<b>Wattage</b>	3.85 watts nominal, 0 power consumption to maintain position

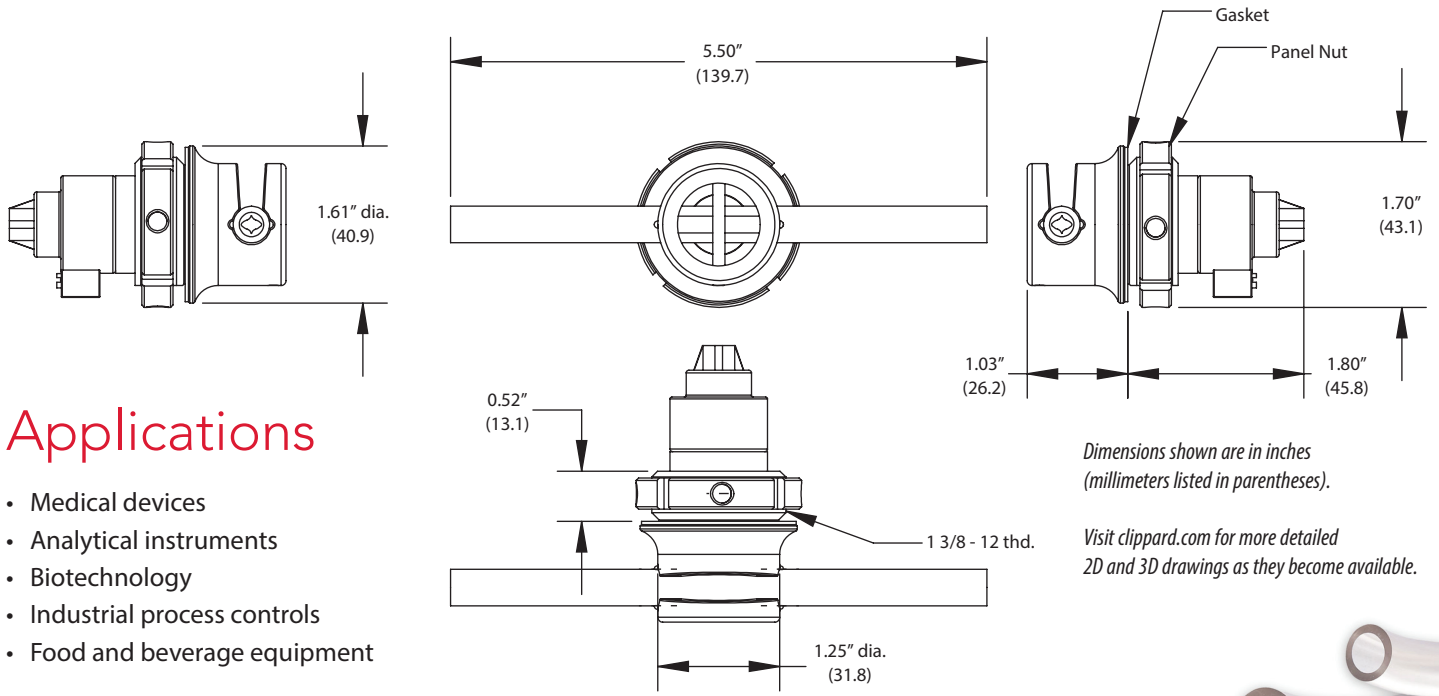
## PRELIMINARY

**Note: This product is still in development.**  
*Specifications are subject to change.*

- **Finer resolution and greater linearity** (*compared with competition*)
- **Replaceable and sterilizable tube set** (*Gamma, EtO, and autoclave capable tubing*)
- **Gasketed panel mount for clean rooms and washdown**
- **High force, high accuracy stepper-driven linear actuator holds position for power savings or at a loss of power**
- **Available in 1/4" and 3/8" OD tube sizes** (*other sizes also available, contact Clippard to discuss*)

## TYPICAL PINCH VALVE FLOW CHARACTERISTIC



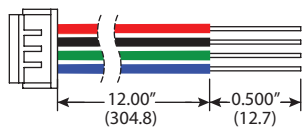


## Applications

- Medical devices
- Analytical instruments
- Biotechnology
- Industrial process controls
- Food and beverage equipment

### LINEAR ACTUATOR CHARACTERISTICS

<b>Current / Phase</b>	385 mA
<b>Inductance / Phase</b>	8.08 mH
<b>Insulation Resistance</b>	20M ohms
<b>Motor Voltage</b>	5 VDC
<b>Resistance / Phase</b>	13 ohms
<b>Temperature Rise</b>	135°F (57°C)
<b>Wattage</b>	3.85 watts
<b>Wiring</b>	Bipolar



**Wiring Harness (Included)**  
 Pin 1, Red (A+); Pin 2, Black (A-);  
 Pin 3, Green (B-); Pin 4 Blue (B+)

### HIGH QUALITY MEDICAL / PHARMACEUTICAL GRADE TPE TUBING

<b>Certifications</b>	REACH, RoHS, USP 661 compliant, CFR Title 21, USP Class VI, ISO 10993 (part 4 and 5)
<b>Durometer</b>	68 Shore A
<b>Elongation at Break</b>	470%
<b>Material</b>	Medical / pharmaceutical grade TPE
<b>Size 1*</b>	1/8" (3.2 mm) ID x 1/4" (6.4 mm) OD Max. operating pressure 30 psig (2 bar)
<b>Size 2*</b>	1/4" (6.4 mm) ID x 3/8" (9.5 mm) OD Max. operating pressure 20 psig (1.5 bar)
<b>Sterilization</b>	Autoclave to 275°F (135°C), gamma resistance to 45 kGy, ethylene oxide (EtO)
<b>Tensile Strength</b>	870 psig (60 bar) at break

\*Other sizes also available, contact Clippard to discuss

## ORDERING INFORMATION

Not Yet Available to Order—**Coming Soon!**

Contact Clippard or your local Clippard distributor to discuss participating in the early Beta release

For more info, scan the QR code or visit  
[clippard.com/link/ppv](http://clippard.com/link/ppv)

