

Clippard

NIV SERIES MULTI-CHANNEL GRADIENT VALVES



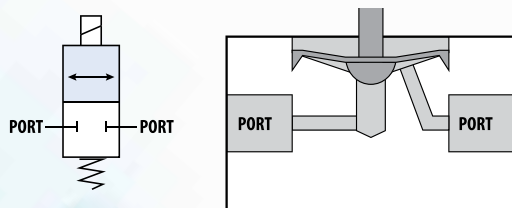
NIV series gradient valves feature multiple 2/2, Normally-Closed solenoids connected around a central body. This unique design provides significant reduction in internal volume with enhanced mixing capabilities. Each actuator operates independently, allowing for flow of various media to be mixed or for one media to be split into multiple streams.

These gradient valves are useful for solvent selection, stream splitting, flushing, mixing, diverting, blending, indexing and other automated applications.

- PTFE diaphragm isolation valves
- Low dead volume
- Low leakage isolation design
- Compatible with corrosive and aggressive fluids
- Flow paths may be controlled individually
- Equal pressure drop, response time and internal volumes

Valve Type	2/2 Normally-Closed
Medium	Air, water, gas or corrosive fluids
Temperature Range	0 to 70°C
Flow	6 to 58 l/min @ 2 bar
Operating Pressure	71 cm Hg to 2 bar
Wattage	1.0 to 7.2 watts
Response Time	5 to 20 ms
Connectors	45 cm wire leads
Voltage	12 or 24 VDC
Ports	1/4-28 UNF or 1/8 NPS
Mount	#4-40 or M3 (M-)
Wetted Materials	PTFE standard
More Details	clippard.com/link/nivg

Contact Clippard Technical Support for customizable options and materials.



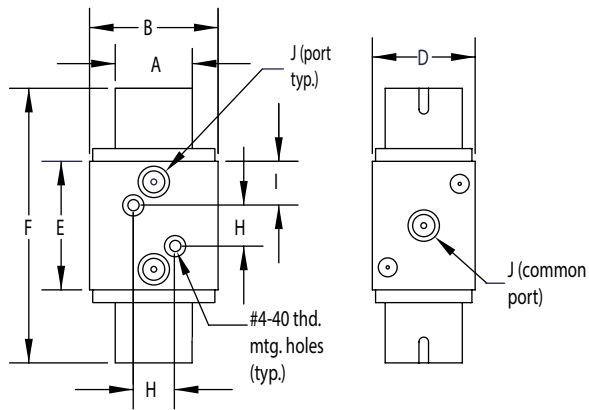
2/2 Normally-Closed



# Valves	Ports / Orifice	Flow @ 2 bar	Part No. 12 VDC	Part No. 24 VDC
2	1/4-28 UNF / 1.0	6 l/min	NR1-2-12-G2	NR1-2-24-G2
	1/4-28 UNF / 1.6	16 l/min	NR2-2-12-G2	NR2-2-24-G2
	1/4-28 UNF / 2.4	38 l/min	NR3-2-12-G2	NR3-2-24-G2
	1/8 NPS / 4.0	58 l/min	NR4-2-12-G2	NR4-2-24-G2
3	1/4-28 UNF / 1.0	6 l/min	NR1-2-12-G3	NR1-2-24-G3
	1/4-28 UNF / 1.6	16 l/min	NR2-2-12-G3	NR2-2-24-G3
	1/4-28 UNF / 2.4	38 l/min	NR3-2-12-G3	NR3-2-24-G3
	1/8 NPS / 4.0	58 l/min	NR4-2-12-G3	NR4-2-24-G3
4	1/4-28 UNF / 1.0	6 l/min	NR1-2-12-G4	NR1-2-24-G4
	1/4-28 UNF / 1.6	16 l/min	NR2-2-12-G4	NR2-2-24-G4
	1/4-28 UNF / 2.4	38 l/min	NR3-2-12-G4	NR3-2-24-G4
	1/8 NPS / 4.0	58 l/min	NR4-2-12-G4	NR4-2-24-G4
6	1/4-28 UNF / 1.0	6 l/min	NR1-2-12-G6	NR1-2-24-G6
	1/4-28 UNF / 1.6	16 l/min	NR2-2-12-G6	NR2-2-24-G6
	1/4-28 UNF / 2.4	38 l/min	NR3-2-12-G6	NR3-2-24-G6
	1/8 NPS / 4.0	58 l/min	NR4-2-12-G6	NR4-2-24-G6

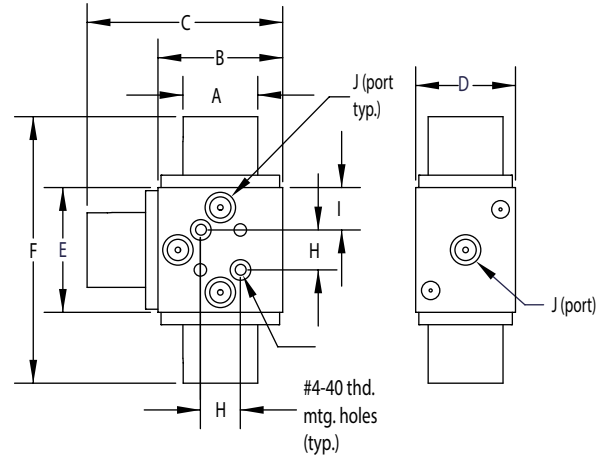
2-Valve Models

NRX-2-X-G2



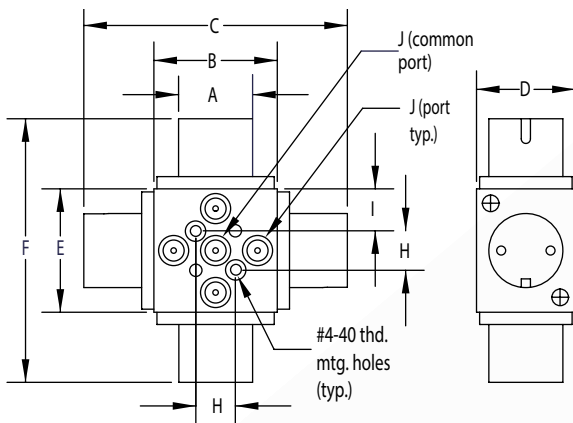
3-Valve Models

NRX-2-X-G3



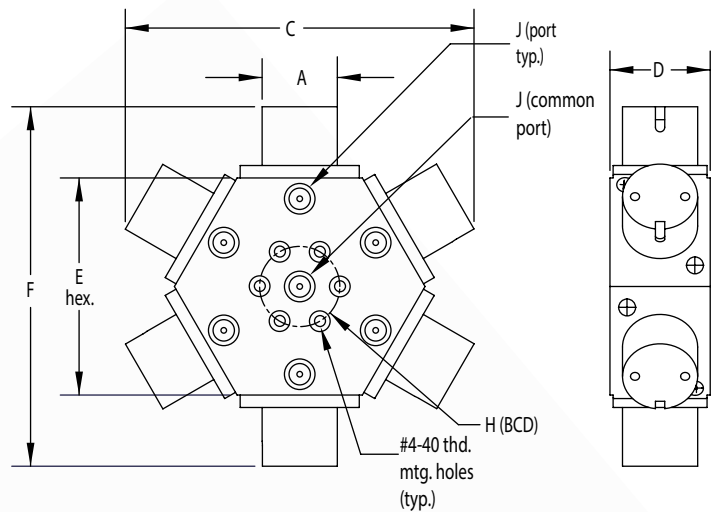
4-Valve Models

NRX-2-X-G4



6-Valve Models

NRX-2-X-G6



DIMENSIONS

Model	A (dia)	B	C	D	E	F	H	J
NR1-2-X-G2	19.0	31.2	-	25.4	32.0	67.8	10.2	1/4-28 UNF
NR1-2-X-G3	19.0	31.2	49.8	25.4	32.0	67.8	10.2	1/4-28 UNF
NR1-2-X-G4	19.0	31.2	67.8	25.4	32.0	67.8	10.2	1/4-28 UNF
NR1-2-X-G6	19.0	-	88.3	25.4	55.0	99.1	20.3 dia.	1/4-28 UNF
NR2-2-X-G2	25.4	38.1	-	31.2	38.1	85.4	12.7	1/4-28 UNF
NR2-2-X-G3	25.4	38.1	61.7	31.2	38.1	85.4	12.7	1/4-28 UNF
NR2-2-X-G4	25.4	38.1	85.4	31.2	38.1	85.4	12.7	1/4-28 UNF
NR2-2-X-G6	25.4	-	110.8	31.2	66.0	113.3	29.3 dia.	1/4-28 UNF
NR3-2-X-G2	31.2	44.5	-	40.0	44.5	104.1	15.9	1/4-28 UNF
NR3-2-X-G3	31.2	44.5	74.3	40.0	44.5	104.1	15.9	1/4-28 UNF
NR3-2-X-G4	31.2	44.5	104.1	40.0	44.5	104.1	15.9	1/4-28 UNF
NR3-2-X-G6	31.2	-	134.2	40.0	77.0	136.7	31.8 dia.	1/4-28 UNF
NR4-2-X-G2	38.1	50.8	-	41.3	50.8	115.5	15.9	1/8 NPS
NR4-2-X-G3	38.1	50.8	83.2	41.3	50.8	115.5	15.9	1/8 NPS
NR4-2-X-G4	38.1	50.8	115.6	41.3	50.8	115.5	15.9	1/8 NPS
NR4-2-X-G6	38.1	-	151.2	41.3	88.0	152.7	31.8 dia.	1/8 NPS