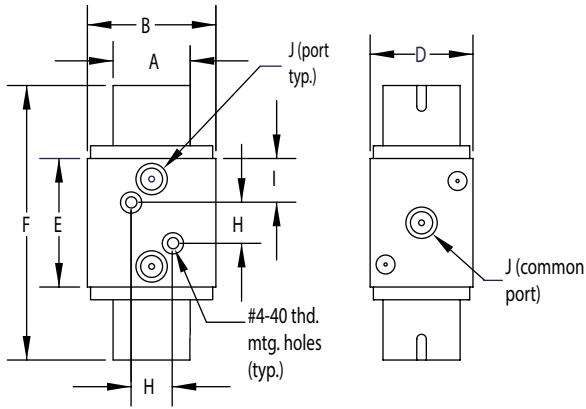


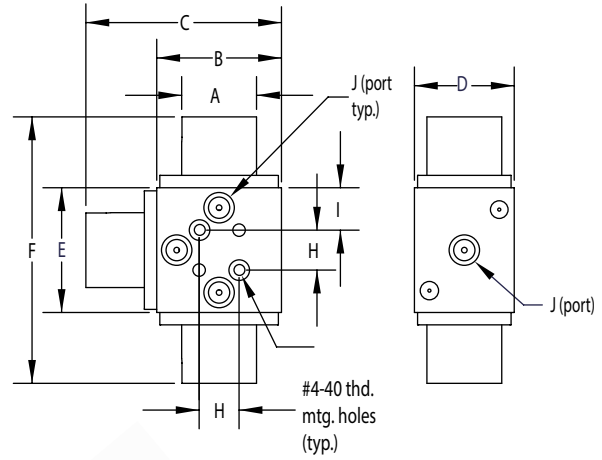
2-Valve Models

NRX-2-X-G2



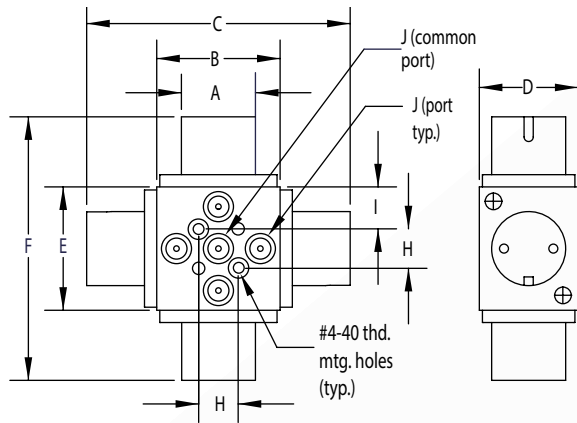
3-Valve Models

NRX-2-X-G3



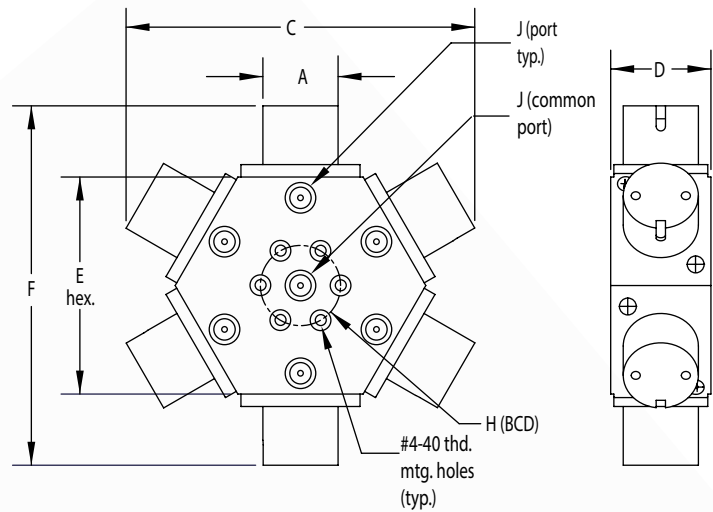
4-Valve Models

NRX-2-X-G4



6-Valve Models

NRX-2-X-G6



DIMENSIONS

Model	A (dia)	B	C	D	E	F	H	J
NR1-2-X-G2	0.750"	1.250"	-	1.000"	1.250"	2.670"	0.400"	1/4-28 UNF
NR1-2-X-G3	0.750"	1.250"	1.960"	1.000"	1.250"	2.670"	0.400"	1/4-28 UNF
NR1-2-X-G4	0.750"	1.250"	2.670"	1.000"	1.250"	2.670"	0.400"	1/4-28 UNF
NR1-2-X-G6	0.750"	-	3.478"	1.000"	2.165"	3.585"	0.800" dia.	1/4-28 UNF
NR2-2-X-G2	1.000"	1.500"	-	1.250"	1.500"	3.362"	0.500"	1/4-28 UNF
NR2-2-X-G3	1.000"	1.500"	2.431"	1.250"	1.500"	3.362"	0.500"	1/4-28 UNF
NR2-2-X-G4	1.000"	1.500"	3.362"	1.250"	1.500"	3.362"	0.500"	1/4-28 UNF
NR2-2-X-G6	1.000"	-	4.361"	1.250"	2.598"	4.460"	1.155" dia.	1/4-28 UNF
NR3-2-X-G2	1.250"	1.750"	-	1.375"	1.750"	4.100"	0.625"	1/4-28 UNF
NR3-2-X-G3	1.250"	1.750"	2.925"	1.375"	1.750"	4.100"	0.625"	1/4-28 UNF
NR3-2-X-G4	1.250"	1.750"	4.100"	1.375"	1.750"	4.100"	0.625"	1/4-28 UNF
NR3-2-X-G6	1.250"	-	5.282"	1.375"	3.031"	5.381"	1.250" dia.	1/4-28 UNF
NR4-2-X-G2	1.500"	2.000"	-	1.625"	2.000"	4.548"	0.625"	1/8 NPS
NR4-2-X-G3	1.500"	2.000"	3.275"	1.625"	2.000"	4.548"	0.625"	1/8 NPS
NR4-2-X-G4	1.500"	2.000"	4.550"	1.625"	2.000"	4.548"	0.625"	1/8 NPS
NR4-2-X-G6	1.500"	-	5.954"	1.625"	3.464"	6.013"	1.250" dia.	1/8 NPS