

Clippard

M-MAR-1 Series Miniature Pressure Regulators Relieving & Non-Relieving Versions



When Clippard introduced a miniature regulator in 1962, the M-MAR-1 became very popular as a **simple, robust, and cost-effective** regulator in a small package with **exceptionally long life**. As regulator applications continue to increase, Clippard is meeting the demand with a variety of new models, options and improvements.

Regulators are offered in either relieving or non-relieving versions. The relieving design maintains a constant pressure output even when downstream conditions change, while non-relieving regulators do not automatically compensate for changes in downstream flow or pressure. There is no vent to atmosphere, as in a relieving type regulator, and the output pressure can increase due to a downstream event. Non-relieving versions can accommodate compatible liquid applications.



Mounting Configurations

Cartridge Mount Option

M5 Manifold Mount Style

R1/8 Mounted Option with Swivel Output

Medium: Air, Water* or Liquid*

Input Pressure: 21 bar max.

Air Flow: 85 l/min @ 3.5 bar; 140 l/min @ 7 bar

Temperature Range: 0 to 110°C

Mounting: M12x0.75 thread. Nuts and lockwashers furnished

Materials: Brass body, Nitrile seals (FKM optional "-V"), stainless steel stem and spring

Adjustment: By means of a knob with micro-adjustment (40 pitch thread). Screwdriver slot and plastic adjustment versions also available.

1C and 1CP Models: As plunger is depressed, pressure increases proportionally to the travel; when plunger is released the input is closed and the output pressure is exhausted to atmosphere. 5.5 mm plunger travel.

* Non-Relieving models only



Standard Knurled Knob

Screwdriver Slot

Large Plastic Knob

Order Information

| Inlet | Outlet | Base Part No. |
|-----------|-------------|---------------|
| M5 Female | M5 Female | M-MAR-1 |
| R1/8 Male | M5 Female | M-MAR-1P |
| M5 Male | Manifold | M-MAR-1M |
| M5 Female | M5 Female | M-MAR-1C |
| R1/8 Male | M5 Female | M-MAR-1CP |
| Cartridge | Cartridge | M-MAR-1R |
| R1/8 Male | G1/8 Female | M-MAR-1BP |

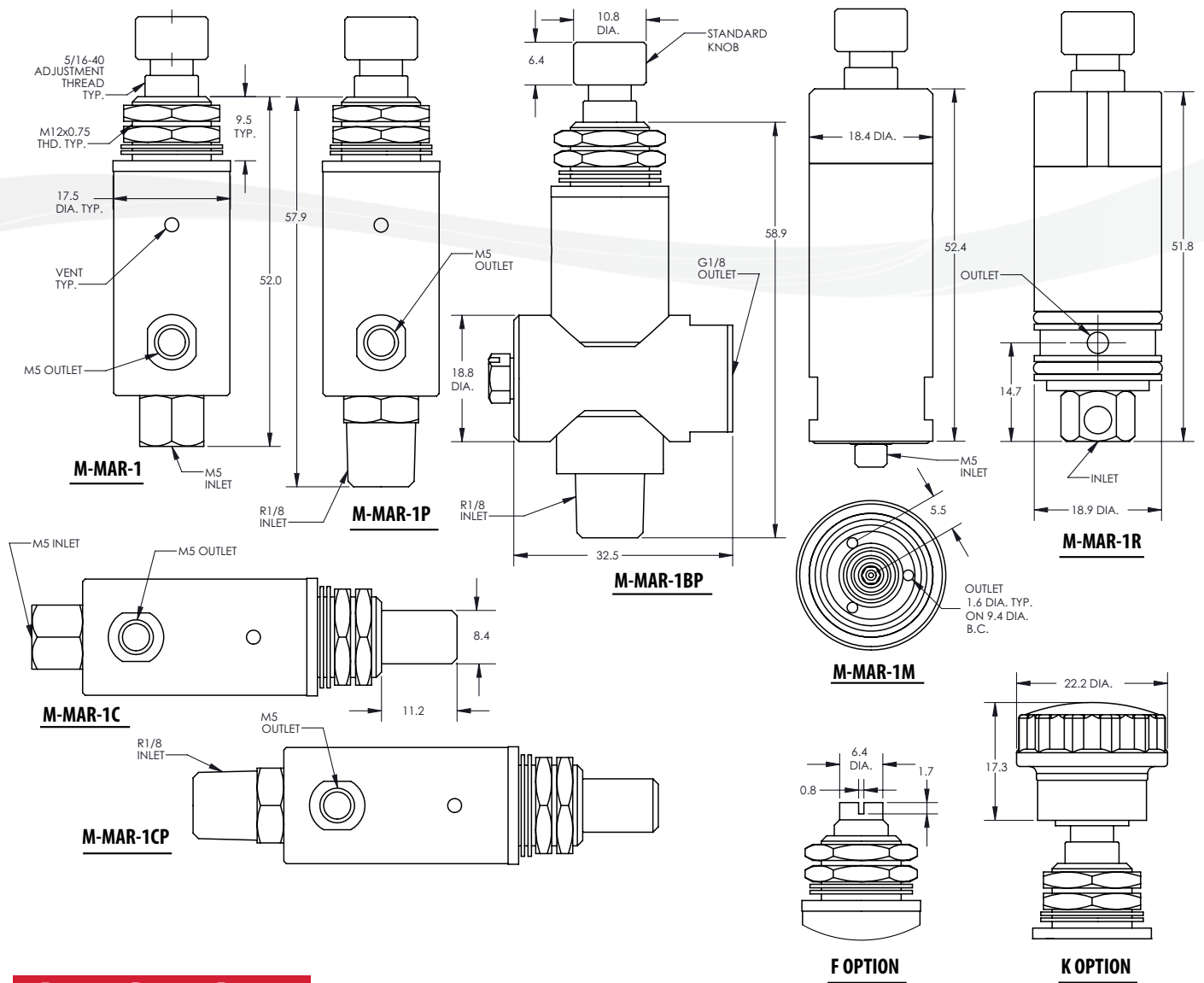
FKM Seals and Electroless Nickel Plating also available

Example Part No.: M-MAR-1BPF-5

| Options | |
|----------------------|-----------------------|
| Knob | Type |
| (blank) Knurled Knob | (blank) Relieving |
| K Plastic Knob | NR Non-Relieving |
| F Screwdriver Slot | |
| C Plunger Style* | |
| | Max. Pressure Range |
| | (blank) 0.7 - 6.9 bar |
| | -2 0.7 - 1.4 bar |
| | -3 0.7 - 2.1 bar |
| | -4 0.7 - 2.8 bar |
| | -5 0.7 - 3.4 bar |
| | -6 0.7 - 4.1 bar |
| | -7 0.7 - 4.8 bar |

* Available in relieving version for M-Mar-1 and M-MAR-1P only

NR not available on C and CP models



CUSTOMer solutions

Custom Regulators

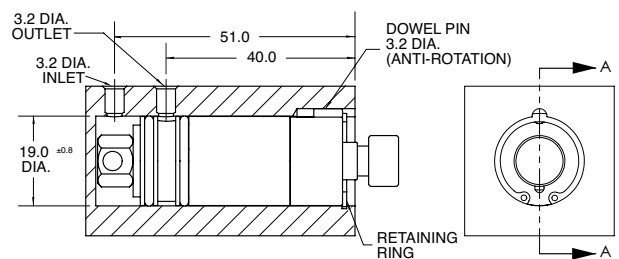
Special Configurations & Assemblies

If you need a product that fits your application perfectly, Clippard has the capability to design or modify one of its products to suit your exact needs. We understand that a standard catalog product may be close but not be exactly what you need. We have the ability and capacity to give you what designed tens of thousands of special variations, modifications or completely special regulators and other products.

Call today with your unique application!



Cartridge Bore Dimensions



- Robust, Compact & Reliable
- Multiple Medias
- Manifold & Cartridge Style Mounting
- Preset to Pressure
- Pre-Assembled & Tested