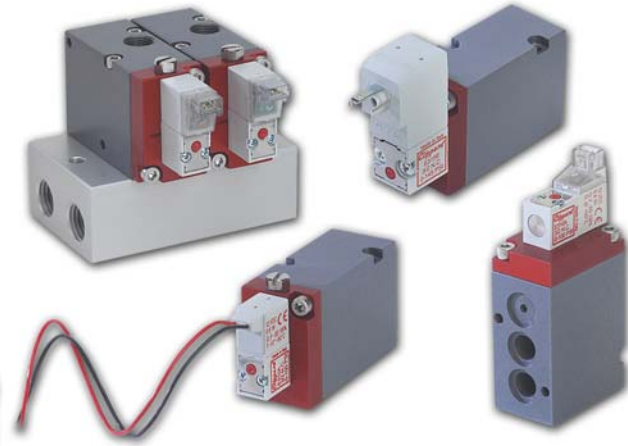


Clippard

EGV Series Electronic High Flow Poppet Valves



- Small, compact, lightweight with high flow
- Electroless nickel plated brass and hard coat anodized aluminum construction for long life and corrosion resistance
- Proven poppet design
- Large variety of control voltages and connections

Clippard's EGV Series valves are an electronically piloted version of the GV series valves, ideal for large flow, low leak applications. Available in 1/8" NPT ported and manifold mount, they utilize Clippard 10 mm or 15 mm valves, and offer numerous voltage and connection options. These 2-way and 3-way valves provide 10 times more flow than Clippard's MAV series and 2.5 times more flow than the MJV series! An externally piloted option is available for controlling lower pressures or other media.

Medium: Air*

Input Pressure: 110 psig max.; 150 psig max with DIN connector

Air Flow: 30 scfm @ 50 psig; 53 scfm @ 100 psig

Temperature Range: 32 to 230°F

Ports: 1/8" NPT and manifold mount

Mounting: NPT, side mounted or Manifold (come with mounting screws and seals)

Materials: Aluminum, Stainless Steel, Brass, Nylon

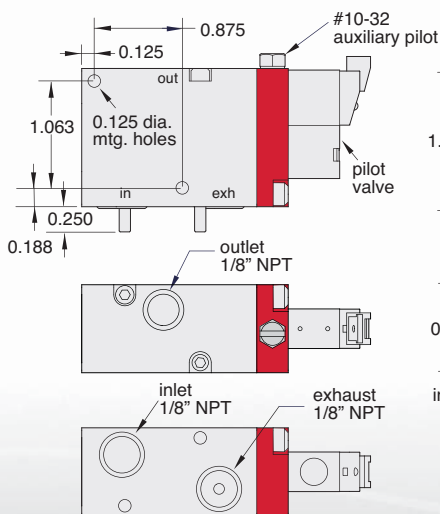
Power Consumption: DC version: 0.6 watts; AC version: 2.5 watts

Voltage: 12 VDC, 24 VDC, 24 VAC, 110 VAC, 220 VAC

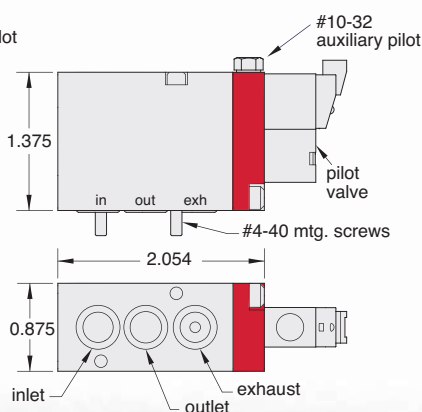
Seals: Nitrile, FKM optional (add suffix "-V" to Part No.)

* Other pressures and media are available with externally piloted versions. Contact Clippard for more information.

EGV-2/3 Series
(In-Line Connector shown)

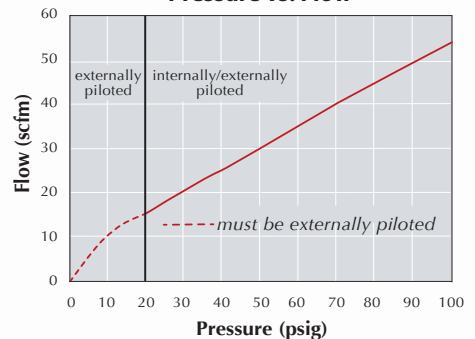


EGV-2M/3M Series
(In-Line Connector shown)

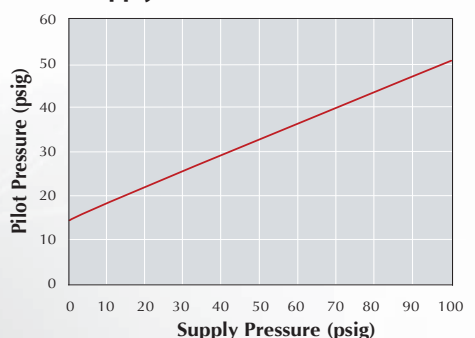


View instructions on how to convert from internally to externally piloted valve

Pressure vs. Flow



Supply Pressure vs. Pilot Pressure



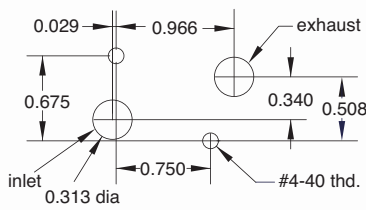
Clippard Instrument Laboratory, Inc.

7390 Colerain Avenue • Cincinnati, OH 45239 • 513-521-4261 • 877-245-6247 • Fax 513-521-4464 • www.clippard.com

Technical Data Bulletin 2.14

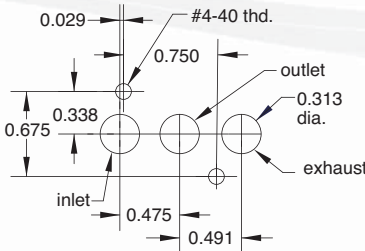
Mounting Interface

EGV-2/3 Series



Requires EGVM-X Manifold

EGV-2M/3M Series

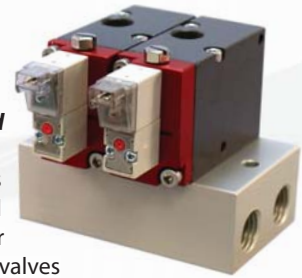


Requires EGVM-X Manifold

Single-Sided Manifolds

For Use with NPT Ported Valves

Pipe thread manifolds are an economical and efficient choice for grouping pneumatic valves and other components in applications where space is limited. In addition, manifolds help to reduce potential leak points and allow for faster installation with one common air supply and less piping. Clear anodized aluminum.



Order Information

Description	Side Mounted Styles	Manifold Mount Style
2-Station Manifold	EGVM-2	EGVM-2
4-Station Manifold	EGVM-4	EGVM-4

NPT, Side Mounted	Manifold Mount (only)	Connector	12 VDC	24 VDC	24 VAC	110 VAC	220 VAC	Watt	Working Pressure
2-Way Valves									
EGV-2-E*	EGV-2M-E*	90° Connector	•	•				0.6	14.7 to 110 psig
EGV-2-L*	EGV-2M-L*	90° Connector with LED	•	•					
EGV-2-F*	EGV-2M-F*	In-Line Connector	•	•					
EGV-2-C*	EGV-2M-C*	In-Line Connector with LED	•	•					
EGV-2-W*	EGV-2M-W*	Wire Leads, 11.8"	•	•					
EGV-2-D*	EGV-2M-D*	DIN Connector	•	•	•	•	2.5	0 to 150 psig	
3-Way Valves									
EGV-3-E*	EGV-3M-E*	90° Connector	•	•				0.6	14.7 to 110 psig
EGV-3-L*	EGV-3M-L*	90° Connector with LED	•	•					
EGV-3-F*	EGV-3M-F*	In-Line Connector	•	•					
EGV-3-C*	EGV-3M-C*	In-Line Connector with LED	•	•					
EGV-3-W*	EGV-3M-W*	Wire Leads, 11.8"	•	•					
EGV-3-D*	EGV-3M-D*	DIN Connector	•	•	•	•	2.5	0 to 150 psig	

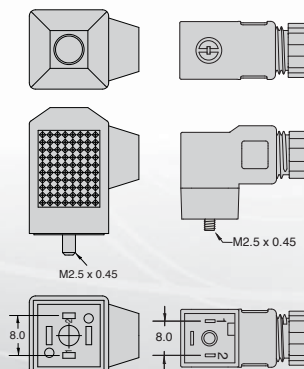
* Add Voltage Choice to the end of each Base Part Number. "012" (12 VDC), "024" (24 VDC) "24A" (24 VAC), "110" (110 VAC) or "220" (220 VAC). Example: **EGV-2-E012**

Professionally Distributed by:

DIN Connectors

For Use with 15 mm Valves Only

Molded 3-Wire Cord Set



DIN 43650 Form C Connectors with 8 mm spade center spacing mate with the 15 mm DIN connector coil. Available with or without surge suppression, and 152 or 381 mm PVC molded three-wire cord set.

Part No.	Volts	LED	
CC-C			-
CC-C-P6	6-240	no	6'
CC-C-P15			15'
CC-CLL			-
CC-CLL-P6	6-24	yes	6'
CC-CLL-P15			15'
CC-CLM			-
CC-CLM-P6	48-110	yes	6'
CC-CLM-P15			15'



Clippard Instrument Laboratory, Inc.

7390 Colerain Avenue • Cincinnati, OH 45239 • 513-521-4261 • 877-245-6247 • Fax 513-521-4464 • www.clippard.com
 Technical Data Bulletin 2.14 • For Warranty & Disclaimer Information, visit www.clippard.com/warranty