

## CPV8 MICRO 8 MM SERIES



These direct actuating proportional valves offer an extremely fast response time for precise, proportional dosing of minute volumes. They are extremely quiet, emit very low vibration, and consume very little power, making them ideal for a wide range of medical and diagnostic applications.

Standard products offered will fit the needs of most applications, however this series can be fully customized according to the user's unique requirements. Consult Clippard with your specific application.

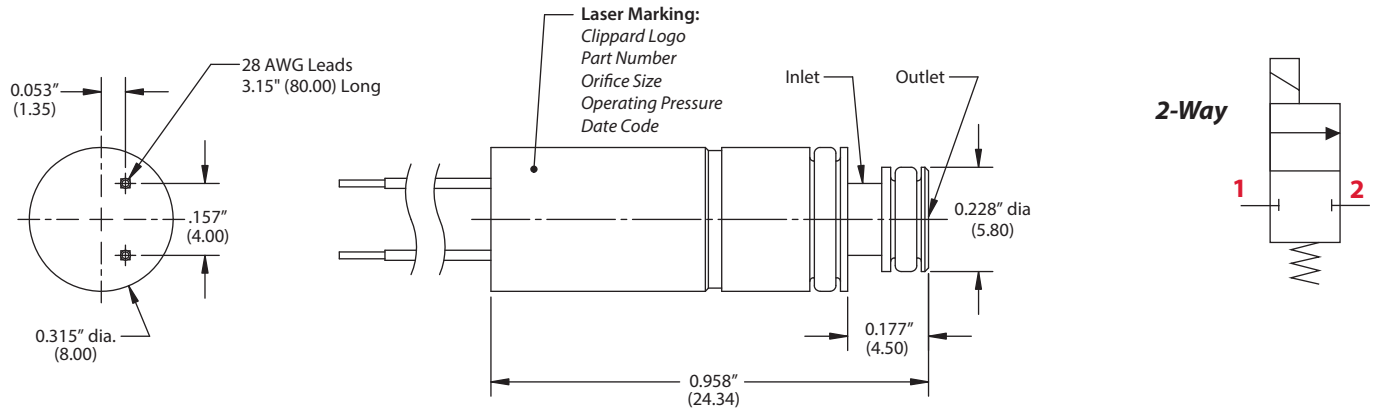
- Ideal for compact assemblies
- Eliminates downstream pulsations
- Smooth proportional delivery
- Low current power / low to no noise
- Exceptional variability of flow vs. command current
- Tiny package with a robust design
- Highly customizable performance

<b>Current Range</b>	0 to 70 mA
<b>Duty Cycle</b>	100% @ I < 55 mA
<b>Flow Coefficient Kv</b>	<b>0.012" Orifice:</b> Up to 0.003 m <sup>3</sup> /h <b>0.020" Orifice:</b> Up to 0.005 m <sup>3</sup> /h
<b>Function</b>	2-way normally-closed proportional
<b>Leak Rate</b>	< 1 ml/min
<b>Material, Body</b>	Stainless steel
<b>Material, Seals</b>	FKM, FFKM
<b>Max. Flow</b>	7.5 l/min
<b>Medium</b>	Air, inert gases
<b>Mount</b>	Cartridge
<b>Operating Pressure</b>	<b>0.012" Orifice:</b> 0 to 116 psig (10 bar) <b>0.020" Orifice:</b> 0 to 87 psig (6 bar)
<b>Operating Temp. Range</b>	40 to 120°F (5 to 50°C)
<b>Orifice</b>	0.012" (0.3 mm), 0.020" (0.5 mm)
<b>Thermal Resistance</b>	~70 K/W (without flow)
<b>Voltage</b>	32 V
<b>Wattage</b>	1.5 watts max.
<b>More Details</b>	<a href="http://clippard.com/link/pv8">clippard.com/link/pv8</a>

### PRELIMINARY

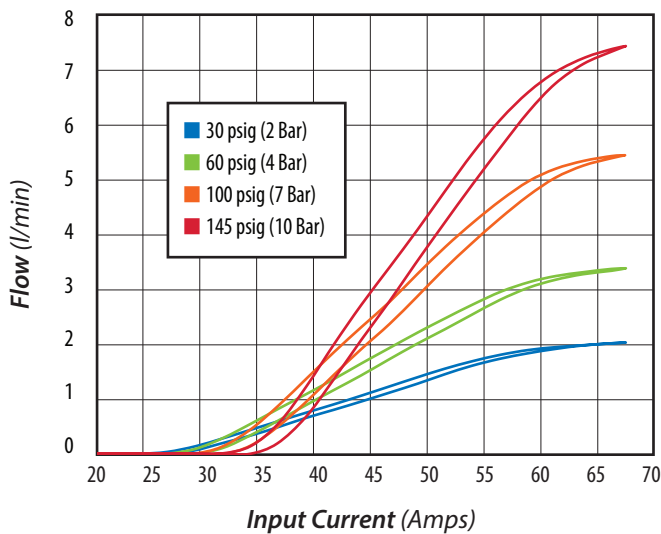
**Note:** This product is still in development.

*Specifications are subject to change.*

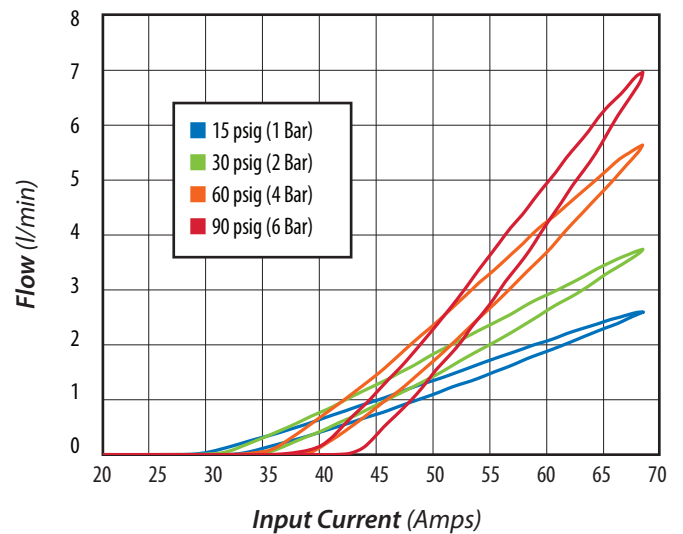


Dimensions shown are in inches (millimeters listed in parentheses).  
Visit [clippard.com](http://clippard.com) for more detailed 2D and 3D drawings as they become available.

Typical Performance for 0.012" Orifice (Air)



Typical Performance for 0.020" Orifice (Air)



## ORDERING INFORMATION

Not Yet Available to Order—*Coming Soon!*

For more info, scan the  
QR code or visit  
[clippard.com/link/pv8](http://clippard.com/link/pv8)

