

Clippard

8 mm 3-Way Electronic Valves



- 1,000,000,000+ cycle life
- Extremely small dead volume
- Low vibration and noise
- Exceptional repeatability and reliability
- Compact and ideal for sub-assemblies
- 100% tested

SPECIFICATIONS

Valve Type	3-Way, Normally-Closed
Medium	Air, Water, Gas & Compatible Fluids
Nominal Power	0.55 watts*
Response Time	<5 ms*
Temperature Range	32 to 122°F
Electrical Connection	Terminal Pins
Voltage	12 or 24 VDC*
Mounting	Cartridge
Weight	0.15 oz.
Wetted Materials	Stainless Steel
Seal Material	FKM standard. EPDM available

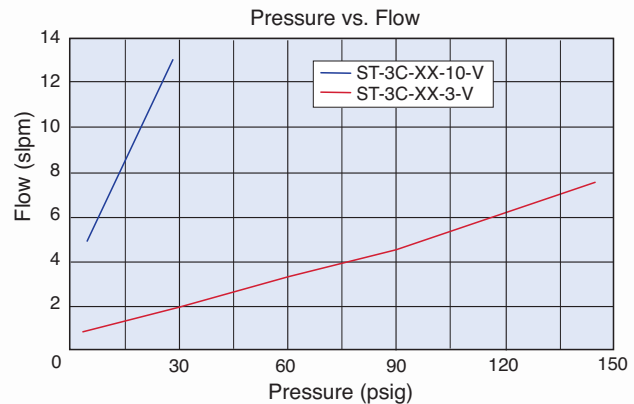
* Customizable to the specifications of the application. Contact Clippard.

These new direct actuating valves offer an extremely fast response time for accurate dosing of minute volumes with the same long life you expect from the original Clippard EV line of electronic valves, now in a 8 mm cartridge package.

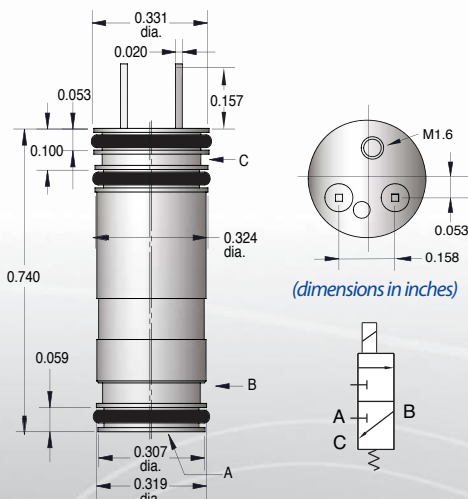
This valve was designed with a unique patented valving principle using Clippard's robust stainless steel "spider", with only one moving part that travels less than 0.007".

Due to very low moving weights, they are extremely quiet and emit very low vibration. Subminiature size and low energy consumption make them ideal for many medical and diagnostic applications.

Standard products offered will fit the needs of most applications, however this series can be fully customized according to the user's unique requirements. Consult Clippard with your specific application.



Part No.	Pressure	Orifice	Voltage
ST-3C-12-3-V	0 - 145 psig	0.012"	12 VDC
ST-3C-24-3-V			24 VDC
ST-3C-12-10-V	0 - 29 psig	0.039"	12 VDC
ST-3C-24-10-V			24 VDC



Read more online at clippard.com/link/st-tds

Single-Station Manifold

Black anodized aluminum manifold. Other materials available.

Part No.	Description
STM-01	Single-Station Manifold, #10-32
M-STM-01	Single-Station Manifold, M5

Professionally Distributed by:

CLIPPARD INSTRUMENT LABORATORY, INC.

7390 Colerain Avenue • Cincinnati, OH 45239 • 513-521-4261 • 877-245-6247 • www.clippard.com • ISO 9001:2015