

# Clippard

## 7 mm 2-Way & 3-Way Electronic Valves

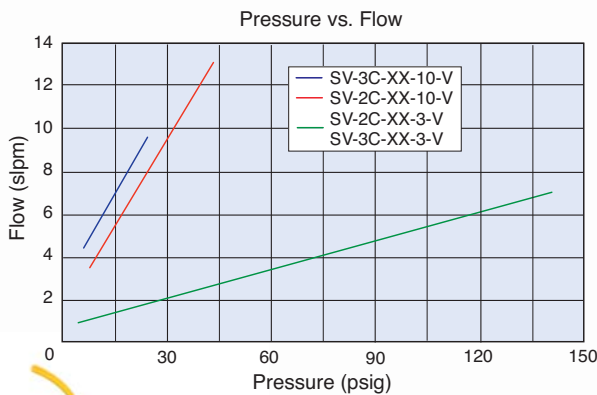
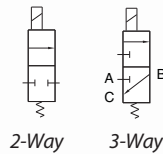


These new direct actuating valves offer an extremely fast response time for accurate dosing of minute volumes with the same long life you expect from the original Clippard EV line of electronic valves, now in a 7 mm cartridge package.

Due to very low moving weights, they are extremely quiet and emit very low vibration. Subminiature size and low energy consumption make them ideal for transportable and mobile systems, among others.

Standard products offered will fit the needs of most applications, however this series can be fully customized according to the user's unique requirements. Consult Clippard with your specific application.

- 1,000,000,000+ cycle life
- Extremely small dead volume
- Low vibration and noise
- 100% tested



### SPECIFICATIONS

<b>Valve Type:</b>	2-Way & 3-Way Normally-Closed
<b>Medium:</b>	Air, Water, Gas & Compatible Fluids
<b>Nominal Power:</b>	0.5 - 1.2 watts
<b>Response Time:</b>	<5 ms*
<b>Temperature Range:</b>	32 to 122°F
<b>Electrical Connection:</b>	3" Wire Leads
<b>Voltage:</b>	12 or 24 VDC
<b>Mounting:</b>	Cartridge
<b>Weight:</b>	0.14 oz.
<b>Wetted Materials:</b>	Stainless Steel
<b>Seal Material:</b>	FKM standard. EPDM available

\* Customizable to the specifications of the application. Contact Clippard.

Read more online at [clippard.com/link/sv-tds](http://clippard.com/link/sv-tds)

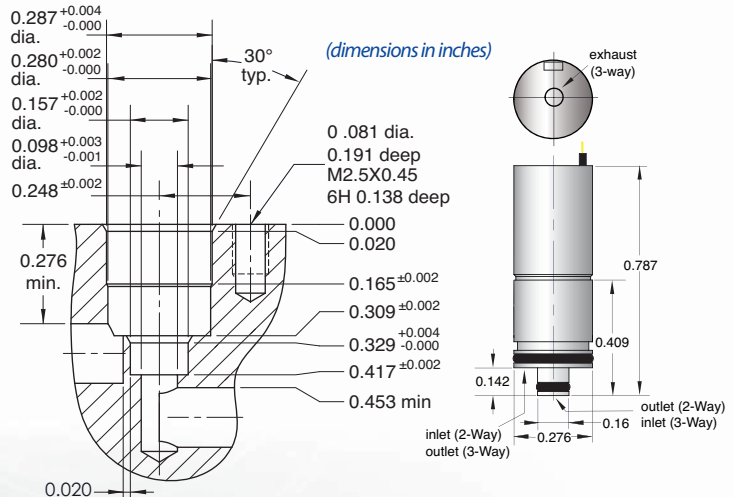


### Single-Station Manifold

Black anodized aluminum manifold comes with mounting clip and screw. Other materials available.

Part No.	Description
SVM-01	Single-Station Manifold, #10-32
M-SVM-01	Single-Station Manifold, M5
SVM-MC	Mounting Clip & Screw Only

Type	Pressure	Orifice	Part No.	Voltage
2-Way	0 - 145 psig	0.012"	SV-2C-12-3-V	12 VDC
			SV-2C-24-3-V	24 VDC
	0 - 45 psig	0.039"	SV-2C-12-10-V	12 VDC
			SV-2C-24-10-V	24 VDC
3-Way	0 - 144 psig	0.012"	SV-3C-12-3-V	12 VDC
			SV-3C-24-3-V	24 VDC
	0 - 22 psig	0.039"	SV-3C-12-10-V	12 VDC
			SV-3C-24-10-V	24 VDC



### CLIPPARD INSTRUMENT LABORATORY, INC.

7390 Colerain Avenue • Cincinnati, OH 45239 • 513-521-4261 • 877-245-6247 • [www.clippard.com](http://www.clippard.com) • ISO 9001:2015