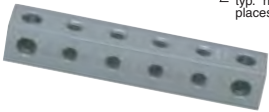
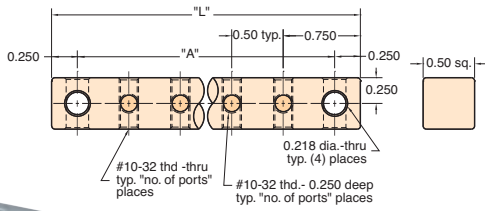




MANIFOLDS

Miniature Terminal Blocks



15028-4 pictured at left

Order No.	# of Ports	"A"	"L"
15028-4	4	2.500"	3.000"
15028-6	6	3.500"	4.000"
15028-8	8	4.500"	5.000"
15028-10	10	5.500"	6.000"

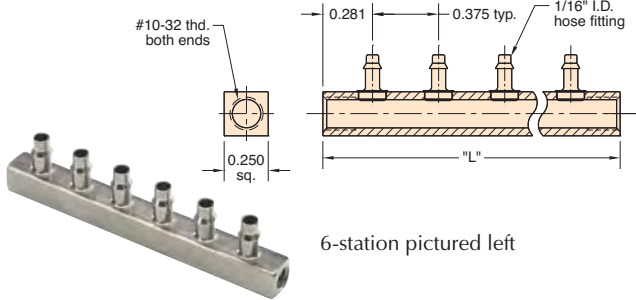
Material: Anodized aluminum

Thread: #10-32 tapped ports

Mounting: With two 7/32: diameter mounting holes

Use: To help organize connections in circuit boxes, control panels and machine piping; cross drilled mounting holes permit mounting of "T" in any direction; use screw plug 11755 to plug unused ports

#10-32 Block Manifolds

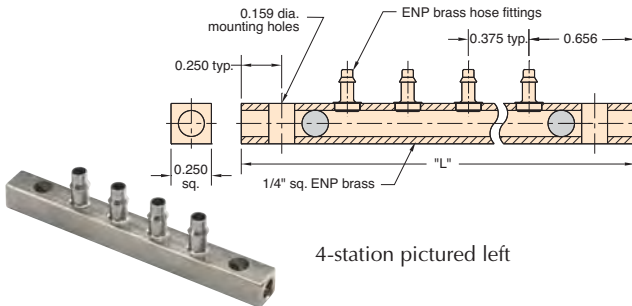


6-station pictured left

Order No.	# of Stations	Hose Barbs	"L"
BTT2-04	4	1/16" I.D.	1.687"
BTT2-06	6	1/16" I.D.	2.437"
BTT2-08	8	1/16" I.D.	3.187"
BTT2-10	10	1/16" I.D.	3.937"
BTT2-12	12	1/16" I.D.	4.687"
BTT4-04	4	1/8" I.D.	1.687"
BTT4-06	6	1/8" I.D.	2.437"
BTT4-08	8	1/8" I.D.	3.187"
BTT4-10	10	1/8" I.D.	3.937"
BTT4-12	12	1/8" I.D.	4.687"

One end may be used as the air supply to the manifold and the other end plugged.

#10-32 Block Manifolds with #6 Screws



4-station pictured left

Order No.	# of Stations	Hose Barbs	"L"
BHH2-04	4	1/16" I.D.	2.437"
BHH2-06	6	1/16" I.D.	3.187"
BHH2-08	8	1/16" I.D.	3.937"
BHH2-10	10	1/16" I.D.	4.687"
BHH2-12	12	1/16" I.D.	5.437"
BHH4-04	4	1/8" I.D.	2.437"
BHH4-06	6	1/8" I.D.	3.187"
BHH4-08	8	1/8" I.D.	3.937"
BHH4-10	10	1/8" I.D.	4.687"
BHH4-12	12	1/8" I.D.	5.437"

One of the stations must be used as the air supply to the manifold.

CUSTOMer solutions

If you need a product that fits your application perfectly, Clippard has the capability to design or modify one of its products to suit your exact needs. We understand that a standard catalog product may be close but not be exactly what you need. **Let us know YOUR Need, and we will help to find YOUR Solution!**



Bleed Valves

This miniature device is a vent or bleed valve that uses a tire stem valve in a small panel-mounted body with integral hose barb.



Standard fittings don't always fit!

Clippard manufactures custom fittings to meet your exact requirements.

