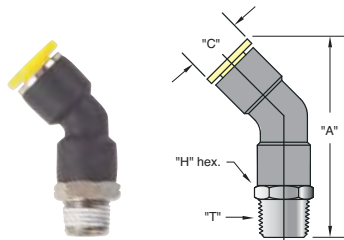




PUSH-QUICK FITTINGS

Male Angle Connector

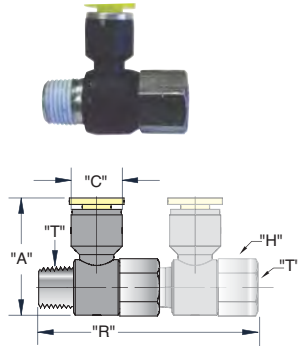
(10/pack)



Tubing	Thread "T"	Part No.	"H" Hex.	"A"	"C"
1/8"	#10-32	PQ-MA04N	7/16"	1.454"	0.410"
	1/8" NPT	PQ-MA04P		1.474"	
5/32"	#10-32	PQ-MA05N	7/16"	1.454"	0.410"
	1/8" NPT	PQ-MA05P		1.474"	
4 mm*	M5 x 0.8	PQ-MA04M5	10 mm	1.454"	0.410"
	R1/8	PQ-MA04MR		1.474"	
6 mm*	M5 x 0.8	PQ-MA06M5	12 mm	1.556"	0.520"
	R1/8	PQ-MA06MR	10 mm	1.556"	
	R1/4	PQ-MA06M2	14 mm	1.616"	
1/4"	#10-32	PQ-MA08N	1/2"	1.620"	0.520"
	1/8" NPT	PQ-MA08P	1/2"	1.620"	
	1/4" NPT	PQ-MA08Q	9/16"	1.682"	
	3/8" NPT	PQ-MA08W	11/16"	1.722"	
5/16"	1/8" NPT	PQ-MA10P	9/16"	1.800"	0.580"
	1/4" NPT	PQ-MA10Q		1.823"	
3/8"	1/8" NPT	PQ-MA12P	11/16"	1.923"	0.720"
	1/4" NPT	PQ-MA12Q		1.943"	
	3/8" NPT	PQ-MA12W		1.965"	
1/2"	1/4" NPT	PQ-MA16Q	7/8"	2.125"	0.830"
	3/8" NPT	PQ-MA16W		2.195"	
	1/2" NPT	PQ-MA16Z		2.195"	

Stack Elbow

(5/pack)

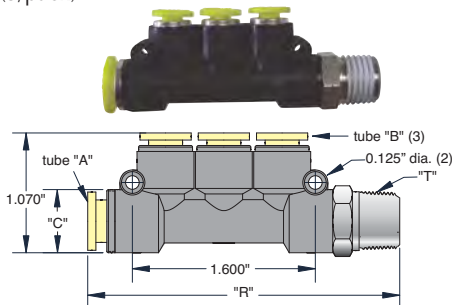


Two fittings shown stacked

Tubing	Thread "T"	Part No.	"A"	"C"	"R"	"H" Hex.
5/32"	#10-32	PQ-SE05N	0.980"	0.410"	1.435"	5/16"
	1/8" NPT	PQ-SE05P	1.095"			5/16"
1/4"	#10-32	PQ-SE08N	1.165"	0.524"	2.250"	1/2"
	1/8" NPT	PQ-SE08P	1.200"			1/2"
5/16"	1/4" NPT	PQ-SE10Q	1.365"	0.580"	2.600"	11/16"
	3/8" NPT	PQ-SE10W	1.425"			11/16"
3/8"	1/4" NPT	PQ-SE12Q	1.570"	0.720"	2.900"	3/4"
	3/8" NPT	PQ-SE12W	1.625"			3/4"
1/2"	3/8" NPT	PQ-SE16W	1.690"	0.850"	2.970"	3/4"
	1/2" NPT	PQ-SE16Z	1.740"			1"
			1.950"		3.160"	1"

Manifold Mount

(5/pack)



Tube "A"	Tube "B"	Thread "T"	Part No.	"C"	"R"
1/4"	5/32"	1/8" NPT	PQ-MM0805P	0.524"	2.665"
5/16"	1/4"	1/4" NPT	PQ-MM1008Q	0.580"	2.820"



* Fittings have a green release button.

Note: Fittings with pipe thread NPT, R1/8, R1/4 and R3/8 are supplied with pre-applied sealant.