

TV Series 4-Way Toggle Valves

4-way 3 position toggle valve with outlet ports open to atmosphere in the center position. The valve can be spring centered, 3 position detent or the "DM" provides a detent on one side and spring return on the other side. The TV-DM model can be used on the momentary side as a "jog" or "manual" control, and with the detented side for "automatic" or "run" mode.

Medium: Air

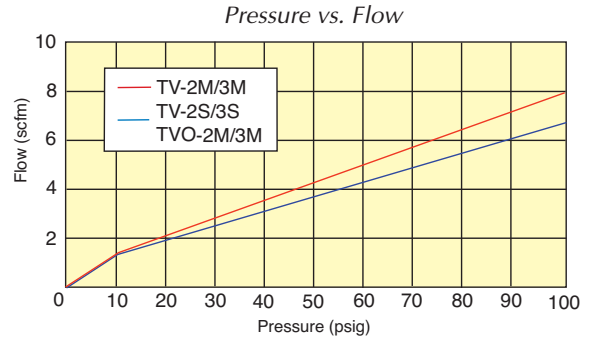
Input Pressure: 150 psig max.

Materials: Brass body, Nitrile seals, stainless steel spring

Air Flow: 4.5 scfm @ 50 psig; 7.5 scfm @ 100 psig

Force to Rotate Toggle: 8 oz. nominal

Mounting: 5/8-32 thread. Nut and lockwashers furnished.



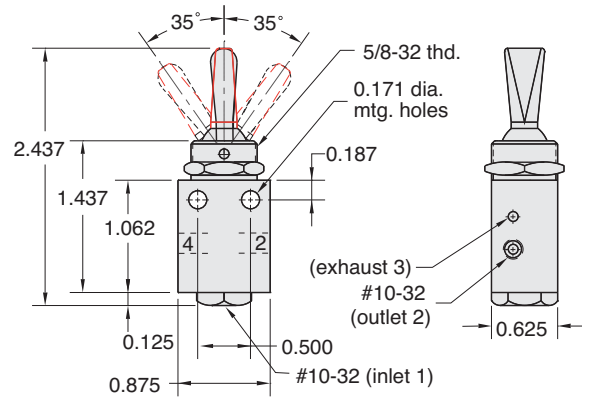
- Designed for use with Clippard manual, air-piloted, electrical or mechanical actuators, or combinations

4-Way #10-32 Valves



(TV-4D shown)

Function	Toggle	4-Way
Detented/Detented	Plastic	TV-4D
Momentary/Momentary	Plastic	TV-4M
Detented/Momentary	Plastic	TV-4DM
Detented/Detented	ENP Steel	TV-4DH
Momentary/Momentary	ENP Steel	TV-4MH
Detented/Momentary	ENP Steel	TV4DMH

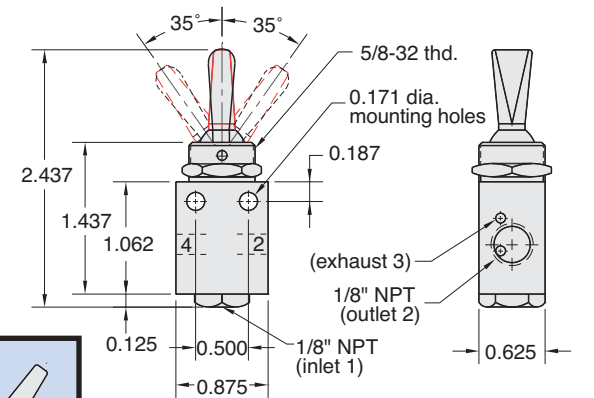


4-Way 1/8" NPT Valves



(TV-4DH shown)

Function	Toggle	4-Way
Detented/Detented	Plastic	TV-4DP
Momentary/Momentary	Plastic	TV-4MP
Detented/Momentary	Plastic	TV-4DMP
Detented/Detented	ENP Steel	TV-4DPH
Momentary/Momentary	ENP Steel	TV-4MPH
Detented/Momentary	ENP Steel	TV4DMPH



options (suffix)
ENP Plating "ENP" • FKM Seals "V"

Model Number	Porting	Function	Actuator	Position
TV-4D	#10-32	Detented	SPRING CENTERED supply blocked both sides exhausted	Detented
TV-4DP	1/8" NPT			
TV-4M	#10-32	Momentary	SPRING CENTERED supply blocked both sides exhausted	Momentary
TV-4MP	1/8" NPT			
TV-4DM	#10-32	Detented		
TV-4DMP	1/8" NPT			