



# FV #10-32 & 1/8" NPT Spool Valves

## FV Series Spool Valves

These balanced spool valves are "fully ported" which means that all ports are useable and can handle pressure or vacuum or both. The FV-3 is a 3-way but can be used as a 2-way normally open or closed by plugging port 2 or 4. As a 3 way it can be connected as a normally closed, normally open and as a selector or diverter. The FV-5 can be connected in a dual pressure inlet configuration.

**Medium:** Air, Oil & Water

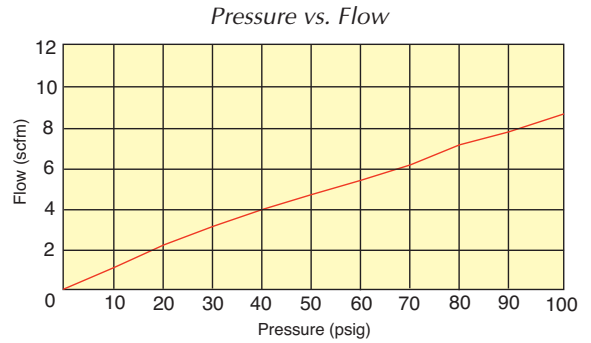
**Input Pressure:** 150 psig max.

**Stem Travel:** 1/8"

**Force For Full Stem Travel:** FV-3, FV-3P, FV-4, FV-4P, FV-5, FV-5P - 4.5 pounds nominal. FV-3D, FV-3DP, FV-4D, FV-4DP, FV-5D, FV-5DP - 1.5 pounds nominal.

**Mounting:** 15/32-32 thread. Nuts and lockwashers furnished.

**Materials:** Brass body, Nitrile seals, stainless steel stem and spring



- Designed for use with Clippard manual, air-piloted, electrical or mechanical actuators, or combinations

**options** (suffix)  
ENP Plating "ENP" • FKM Seals "V"

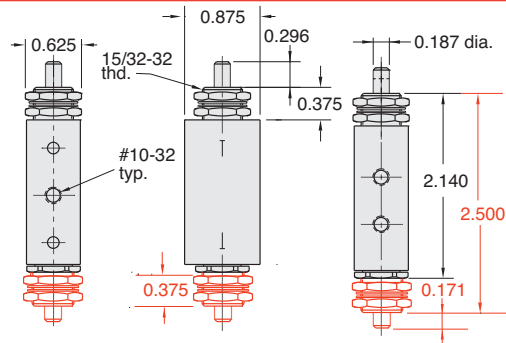
### 3-Way #10-32 Valves



(FV-3D shown)

Port(s)	Actuation	3-Way
#10-32	Spring Return	FV-3
#10-32	2-Position	FV-3D

**Air Flow:** 6 scfm @ 50 psig; 10 scfm @ 100 psig



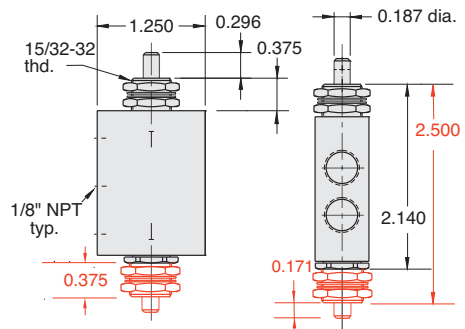
### 3-Way 1/8" NPT Valves



(FV-3P shown)

Port(s)	Actuation	3-Way
1/8" NPT	Spring Return	FV-3P
1/8" NPT	2-Position	FV-3DP

**Air Flow:** 6.5 scfm @ 50 psig; 10.5 scfm @ 100 psig



### 4-Way #10-32 Valves



(FV-4 shown)

Port(s)	Actuation	4-Way
#10-32	Spring Return	FV-4
#10-32	2-Position	FV-4D

**Air Flow:** 6 scfm @ 50 psig; 10 scfm @ 100 psig

