

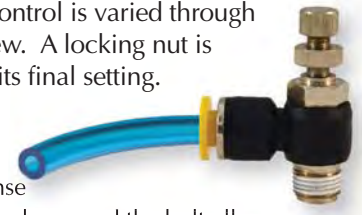
NEW! PQ FLOW CONTROLS



PQ-FV In-Line Flow Controls can be easily added to existing circuitry and are lightweight and compact in size. Since it is a tube-to-tube connection, in-line flow controls may be installed as a meter-in or meter-out device.

The PQ-C Elbow Controls are ideal for low cost and lightweight applications when mounting directly to an NPT port on a cylinder or valve is required.

In the meter-out versions, intake air flows freely through the flow control; exhaust air is metered out through an adjustment screw. With the meter-in series, air is metered in through an adjustment screw; exhaust air flows freely. Control is varied through a finely threaded adjustment screw. A locking nut is provided so it can be secured in its final setting.



Medium: Air

Pressure Range: 0 to 150 psig

Vacuum: 0 to 29.5" Hg

Ports: #10-32, 1/8" NPT, 1/4" NPT, 3/8" NPT, 1/2" NPT

Adjustment: Knurled knob

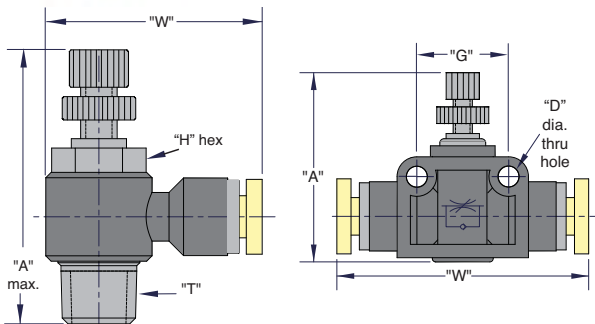
Material: Nickel plated brass, plastic resin, stainless steel gripper ring, Nitrile seals

- Small, compact size
- Design flexibility and fast response
- Complete rotation of the valve body around the bolt allows for optimum positioning of tubing
- Special adjustment needle design allows large adjustment ranges with high precision
- Ideal for use with polyurethane, nylon, polyethylene and polypropylene tubing (see www.clippard.com)

PQ-CV & PQ-CI



PQ-FV



Right Angle Meter-Out Controls

| Part No. | Tubing Size | Thread "T" | "H" Hex. | "A" Max. | "W" |
|--------------------------|-------------|------------|----------|----------|-------|
| PQ-CV04N | 1/8" | #10-32 | 5/16" | 1.230 | 0.990 |
| PQ-CV04P | 1/8" | 1/8" NPT | 7/16" | 1.630 | 1.165 |
| PQ-CV05N | 5/32" | #10-32 | 5/16" | 1.210 | 0.990 |
| PQ-CV05P | 5/32" | 1/8" NPT | 7/16" | 1.570 | 1.130 |
| PQ-CV08N | 1/4" | #10-32 | 5/16" | 1.240 | 1.090 |
| PQ-CV08P | 1/4" | 1/8" NPT | 7/16" | 1.615 | 1.215 |
| PQ-CV08Q | 1/4" | 1/4" NPT | 9/16" | 1.900 | 1.360 |
| PQ-CV12Q | 3/8" | 1/4" NPT | 9/16" | 1.950 | 1.610 |
| PQ-CV12W | 3/8" | 3/8" NPT | 3/4" | 2.395 | 1.690 |
| PQ-CV16Q | 1/2" | 3/8" NPT | 3/4" | 2.270 | 1.745 |

Right Angle Meter-In Controls

| Part No. | Tubing Size | Thread "T" | "H" Hex. | "A" Max. | "W" |
|--------------------------|-------------|------------|----------|----------|-------|
| PQ-CI04N | 1/8" | #10-32 | 5/16" | 1.230 | 0.990 |
| PQ-CI04P | 1/8" | 1/8" NPT | 7/16" | 1.630 | 1.165 |
| PQ-CI05N | 5/32" | #10-32 | 5/16" | 1.210 | 0.990 |
| PQ-CI05P | 5/32" | 1/8" NPT | 7/16" | 1.570 | 1.130 |
| PQ-CI08N | 1/4" | #10-32 | 5/16" | 1.240 | 1.090 |
| PQ-CI08P | 1/4" | 1/8" NPT | 7/16" | 1.615 | 1.215 |
| PQ-CI08Q | 1/4" | 1/4" NPT | 9/16" | 1.900 | 1.360 |
| PQ-CI12Q | 3/8" | 1/4" NPT | 9/16" | 1.950 | 1.610 |
| PQ-CI12W | 3/8" | 3/8" NPT | 3/4" | 2.395 | 1.690 |
| PQ-CI16W | 1/2" | 3/8" NPT | 3/4" | 2.270 | 1.745 |

In-Line Controls

| Part No. | Tubing Size | "D" Dia. | "G" | "A" | "W" |
|--------------------------|-------------|----------|-------|-------|-------|
| PQ-FV04 | 1/8" | 0.125 | 0.550 | 1.087 | 1.570 |
| PQ-FV05 | 5/32" | 0.125 | 0.550 | 1.250 | 1.570 |
| PQ-FV06M | 6 mm | 0.170 | 0.787 | 1.683 | 1.952 |
| PQ-FV08 | 1/4" | 0.170 | 0.787 | 1.739 | 2.010 |
| PQ-FV08M | 8 mm | 0.170 | 0.860 | 1.744 | 2.173 |
| PQ-FV12 | 3/8" | 0.170 | 1.023 | 2.105 | 2.520 |
| PQ-FV16 | 1/2" | 0.170 | 1.260 | 2.156 | 2.881 |

Metric line available. Visit www.clippard.com