

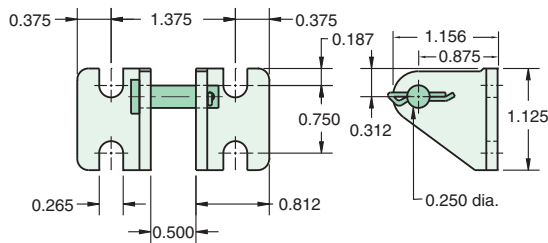


1 1/4" BORE ACCESSORIES



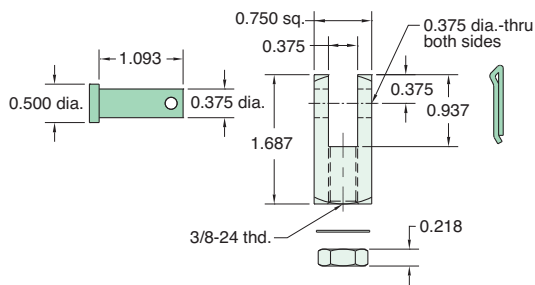
CB-2095

Clevis Bracket
Material: Steel, bright zinc plated



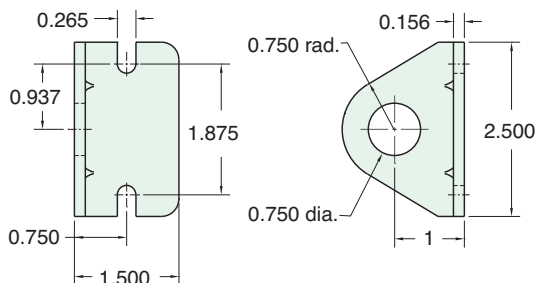
RC-2081

Rod Clevis
Material: Steel, electroless nickel plate



FB-2491

Foot Bracket
Material: Steel, bright zinc plated



MOUNTING NUTS

Stud Nut

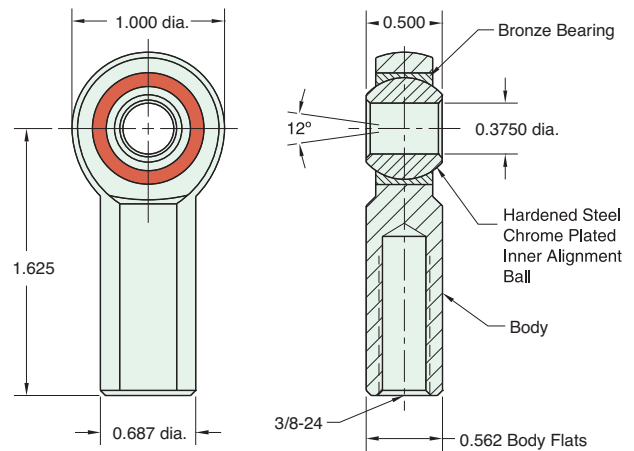
Part Number	Across Flats	Nut Thickness	Nut (Thread)
N12-16	1 3/32"	27/64"	3/4-16

Rod Nut

Part Number	Across Flats	Nut Thickness	Nut (Thread)
N06-24A	9/16"	7/32"	3/8-24
N06-24B	1/2"	3/32"	3/8-24

RE-2085

Rod End
Material: Steel, bright zinc plated body



Lockwasher

Locknut

Max. Static Radial Load (rod end only): 3,950 lbs.
Fits Rod Thread Size: 3/8-24

