

Maximatic®

Maximatic Solenoid Valves

Clippard's all-new Solenoid valves are available in two-way, three-way and four-way configurations in port sizes from #10-32 to 1/2" NPT. Select either a direct-acting poppet or solenoid-controlled pilot operated balanced spool design. Spool valves are body ported but can be bolted to a parallel circuit manifold.

These electronic valves offer high flow in a small package, and are constructed of aluminum, stainless steel and thermoplastic materials. The four-way valves are also available in 3 position versions with either pressure center, closed center or exhaust center spool options.

Materials: Aluminum, Stainless Steel, Thermoplastic

Maximum Pressure: Vacuum to 150 psig (direct-acting only); 20 to 125 psig (spool valves)

Response Time: Less than 20 ms

Mounting: Manifold standard. Actuator (1/4" only) or NAMUR (3/8" NPT only) available on [Page 10](#).

Manual Override: Locking or non-locking

Electrical Connection: DIN terminal with LED indicator, or 18" Wire Leads

DIN Connector: Plug-in electrical connector with LED. MME-31/41 models are DIN 43650 Form "C" 3 mm screw. All others are DIN 43650 Form "B" 3 mm screw. LED will not "light" if polarity is reversed.

Wire Leads: Not polarity sensitive

Temperature Range: 32° to 150°F (0 to 65°C)

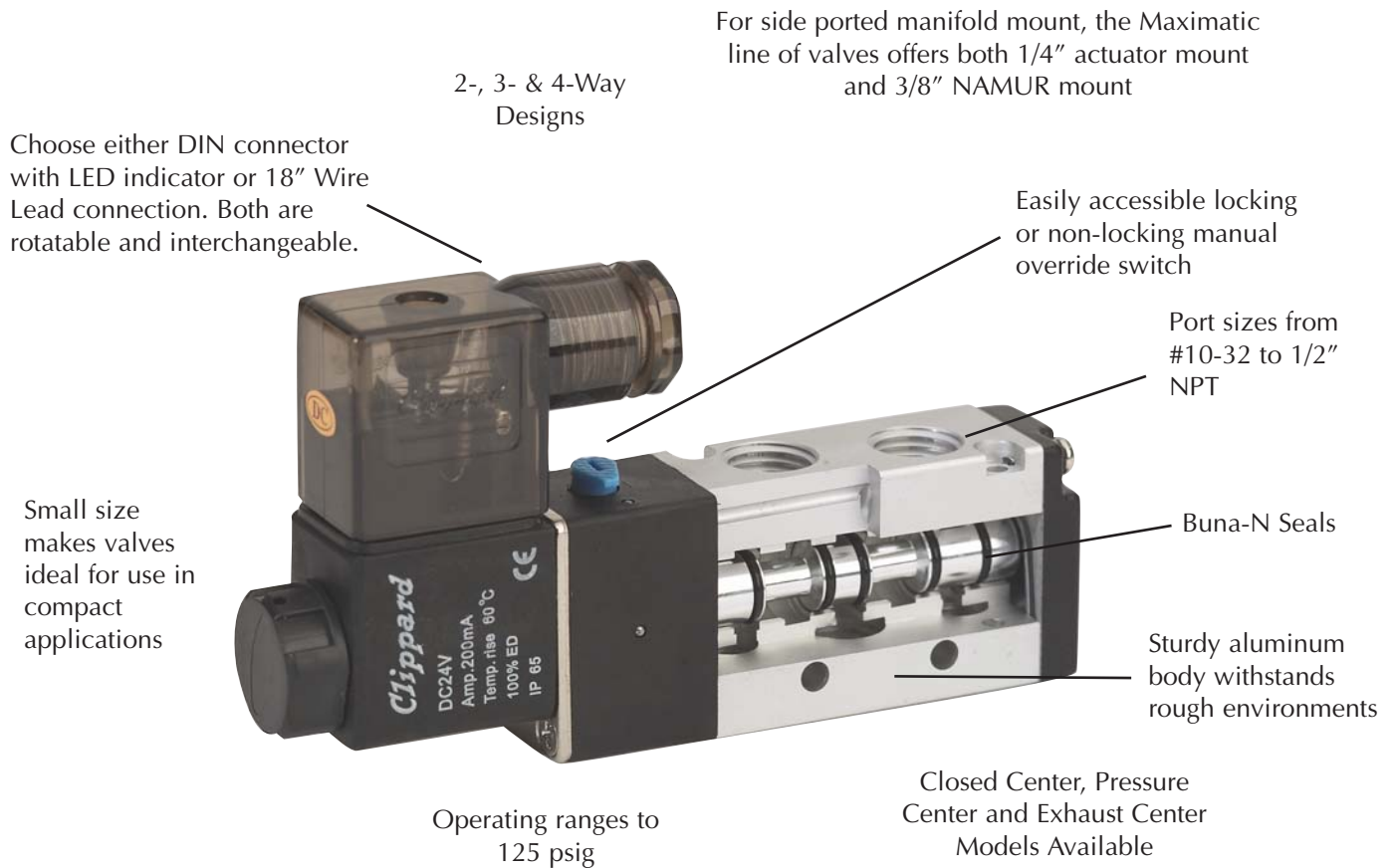
Seals: Buna-N



Three- & Four-Way Valves

Port	Cv	Flow Rate	
		@ 50 psig	@ 100 psig
#10-32	0.58	16 scfm	27 scfm
1/8" NPT	0.67	18 scfm	31 scfm
1/4" NPT	0.89	26 scfm	49 scfm
3/8" NPT	1.68	51 scfm	93 scfm
1/2" NPT	2.79	91 scfm	171 scfm

Maximum Value. Maximum Performance.



Choose either DIN connector with LED indicator or 18" Wire Lead connection. Both are rotatable and interchangeable.

2-, 3- & 4-Way Designs

For side ported manifold mount, the Maximatic line of valves offers both 1/4" actuator mount and 3/8" NAMUR mount

Easily accessible locking or non-locking manual override switch

Port sizes from #10-32 to 1/2" NPT

Buna-N Seals

Sturdy aluminum body withstands rough environments

Small size makes valves ideal for use in compact applications

Operating ranges to 125 psig

Closed Center, Pressure Center and Exhaust Center Models Available

Maximatic® Valves are available as body ported, manifold mount, NAMUR (3/8" NPT only), and Actuator (1/4" NPT only) mounting. Standard models include a base that permits fast, secure mounting of electronic valves to a manifold for grouping in compact assemblies.

A wide variety of voltage options are available including 12-volt DC, 24-volt DC, 24-volt AC, 110-volt AC and 220-volt AC. Consult factory for other voltages.



Maximatic® Valves Ordering Guide

Valve Series	Enter	<input type="text"/>
Electronic	E	<input type="text"/>
Air Pilot	A	
Valve Type	Enter	<input type="text"/>
2-Way (Direct-Acting only)	2	<input type="text"/>
3-Way	3	
4-Way	4	
Body/Port Size	Enter	<input type="text"/>
Direct-Acting		
1/8" NPT	P	
1/8" NPT Stacking	S	
1/4" NPT	Q	
Spool Type		
#10-32	1N	
1/8" NPT	1P	
1/4" NPT (0.89 Cv)	2Q	
1/4" NPT (1.68 Cv)	3Q	
3/8" NPT	3W	
1/2" NPT	4Z	
Primary/Secondary Actuator	Enter	<input type="text"/>
Air/Air	AA	<input type="text"/>
Air/Spring	AS	
Electronic Pilot/Electric Pilot	EE	
Electronic Pilot/Spring	ES	
Direct Acting/Spring	DS (2- or 3-Way, #10-32, 1/8", 1/4" only)	
Mounting	Enter	<input type="text"/>
Standard Manifold	(blank)	* Only available on 3- or 4-Way Electronic Valves. 1/4" NPT Actuator or 3/8" NPT NAMUR Mount.
Actuator/NAMUR*	B	
Spool Type	Enter	<input type="text"/>
2-Position, Spool	(blank)	Only available on 4-Way Valves with "AA" or "EE" Actuator. Standard Manifold Mount only.
3-Position, Closed Center	C	
3-Position, Exhaust Center	E	
3-Position, Pressure Center	P	
Electrical Connector	Enter	<input type="text"/>
DIN Connector	D	Only required on Electronic Valves.
Wire Leads (18")	W	
Voltage	Enter	<input type="text"/>
12-Volt DC	012	Only required on Electronic Valves.
24-Volt DC	024	
24-Volt AC	24A	
110-Volt AC	110	
220-Volt AC	220	



Single Solenoid Electronic Valves Mounted on 8-Station Manifold

This numbering schematic is shown for illustration purposes only. All possible configurations are not available. For standard models, see the products illustrated in this catalog.



Example: MME-42QES-D110

Maximatic® Solenoid Valves

Two-Way Valves

Series No.	Style	Inlet	Ports			Function	Cv	Flow @ 100 psig
			Outlet	Exhaust				
MME-2PDS	Poppet	1/8" NPT	1/8" NPT	1/8" NPT	2/2	0.12	6.7 scfm	
MME-2QDS	Poppet	1/4" NPT	1/4" NPT	1/4" NPT	2/2	0.12	6.7 scfm	
MME-2SDS	Poppet	1/8" NPT	1/8" NPT	1/8" NPT	2/2	0.05	2.3 scfm	

Three-Way Valves

MME-3PDS	Poppet	1/8" NPT	1/8" NPT	1/8" NPT	3/2	0.12	6.7 scfm
MME-3QDS	Poppet	1/4" NPT	1/4" NPT	1/4" NPT	3/2	0.12	6.7 scfm
MME-3SDS	Poppet	1/8" NPT	1/8" NPT	1/8" NPT	3/2	0.05	2.3 scfm
MME-31NES	Spool	#10-32	#10-32	#10-32	3/2 NC	0.58	2.3 scfm
MME-31PES	Spool	1/8" NPT	1/8" NPT	1/8" NPT	3/2 NC	0.67	31 scfm
MME-32QES	Spool	1/4" NPT	1/4" NPT	1/8" NPT	3/2 NC	0.89	49 scfm
MME-33WES	Spool	3/8" NPT	3/8" NPT	1/4" NPT	3/2 NC	1.68	93 scfm
MME-34ZES	Spool	1/2" NPT	1/2" NPT	1/2" NPT	3/2 NC	2.79	171 scfm
MME-31NEE	Spool	#10-32	#10-32	#10-32	3/2	0.58	27 scfm
MME-31PEE	Spool	1/8" NPT	1/8" NPT	1/8" NPT	3/2	0.67	31 scfm
MME-32QEE	Spool	1/4" NPT	1/4" NPT	1/8" NPT	3/2	0.89	49 scfm
MME-33WEE	Spool	3/8" NPT	3/8" NPT	1/4" NPT	3/2	1.68	93 scfm
MME-34ZEE	Spool	1/2" NPT	1/2" NPT	1/2" NPT	3/2	2.79	171 scfm

Four-Way Valves

Series No.	Style	Inlet	Ports			Function	Cv	Flow @ 100 psig	Spool Configuration		
			Outlet	Exhaust					Closed Center	Exhaust Center	Pressure Center
MME-41NES	Spool	#10-32	#10-32	#10-32	5/2	0.58	27 scfm				
MME-41PES	Spool	1/8" NPT	1/8" NPT	1/8" NPT	5/2	0.67	31 scfm				
MME-42QES	Spool	1/4" NPT	1/4" NPT	1/8" NPT	5/2	0.89	49 scfm				
MME-43WES	Spool	3/8" NPT	3/8" NPT	1/4" NPT	5/2	1.68	93 scfm				
MME-44ZES	Spool	1/2" NPT	1/2" NPT	1/2" NPT	5/2	2.79	171 scfm				
MME-41NEE	Spool	#10-32	#10-32	#10-32	5/2	0.58	27 scfm				
MME-41PEE	Spool	1/8" NPT	1/8" NPT	1/8" NPT	5/2	0.67	31 scfm				
MME-42QEE	Spool	1/4" NPT	1/4" NPT	1/8" NPT	5/2	0.89	49 scfm				
MME-43WEE	Spool	3/8" NPT	3/8" NPT	1/4" NPT	5/2	1.68	93 scfm				
MME-44ZEE	Spool	1/2" NPT	1/2" NPT	1/2" NPT	5/2	2.79	171 scfm				
MME-41NEEC	Spool	#10-32	#10-32	#10-32	5/3	0.50	23 scfm		•		
MME-41PEEC	Spool	1/8" NPT	1/8" NPT	1/8" NPT	5/3	0.50	23 scfm		•		
MME-42QEEC	Spool	1/4" NPT	1/4" NPT	1/8" NPT	5/3	0.67	49 scfm		•		
MME-43WEEC	Spool	3/8" NPT	3/8" NPT	1/4" NPT	5/3	1.00	72 scfm		•		
MME-44ZEEC	Spool	1/2" NPT	1/2" NPT	1/2" NPT	5/3	1.68	93 scfm		•		
MME-41NEEP	Spool	#10-32	#10-32	#10-32	5/3	0.50	23 scfm			•	
MME-41PEEP	Spool	1/8" NPT	1/8" NPT	1/8" NPT	5/3	0.50	23 scfm			•	
MME-42QEEP	Spool	1/4" NPT	1/4" NPT	1/8" NPT	5/3	0.89	49 scfm			•	
MME-43WEEP	Spool	3/8" NPT	3/8" NPT	1/4" NPT	5/3	1.00	72 scfm			•	
MME-44ZEEP	Spool	1/2" NPT	1/2" NPT	1/2" NPT	5/3	1.68	93 scfm			•	
MME-41NEEE	Spool	#10-32	#10-32	#10-32	5/3	0.50	23 scfm		•		
MME-41PEEE	Spool	1/8" NPT	1/8" NPT	1/8" NPT	5/3	0.50	23 scfm		•		
MME-42QEEE	Spool	1/4" NPT	1/4" NPT	1/8" NPT	5/3	0.89	49 scfm		•		
MME-43WEEE	Spool	3/8" NPT	3/8" NPT	1/4" NPT	5/3	1.00	72 scfm		•		
MME-44ZEEE	Spool	1/2" NPT	1/2" NPT	1/2" NPT	5/3	1.68	93 scfm		•		



Direct-Acting 2-Position Solenoid Valves



MME-2SDS-D024



MME-3PDS-D110

Maximatic® Direct-Acting Valves are single solenoid spring return poppet type valves available as either two-way or three-way configurations in ports sizes 1/8" NPT and 1/4" NPT. Hardware to stack multiple valves included with each valve.

Voltage: 12-volt DC ("-012"), 24-volt DC ("-024"), 24-volt AC ("-24A"), 110-volt AC ("-110"), or 220-volt AC ("-220")
Power Consumption: 6.5 Watt
Number of Ports: 2 or 3
Mounting: Body Ported or Stacking

Medium: Air (40 micron filtration), Inert Gas or Liquid

Operating Range: Vacuum to 150 psig

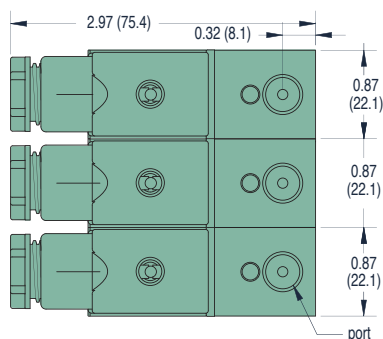
Flow: 2.3 scfm @ 100 psig

Electrical Connection: DIN connector with LED indicator ("-D"), or 18" Wire Lead ("-W")

Replacement Stacking Kit

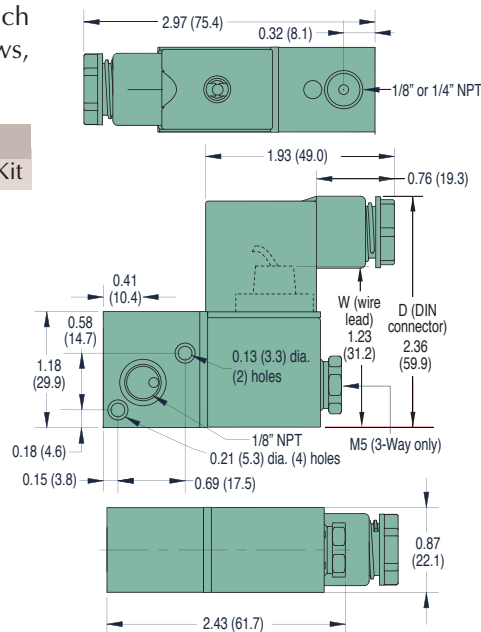
Replacement Stacking Kits are available which include two long screws, two short screws, one gasket and two nuts.

Part No.
27048 Replacement Stacking Kit

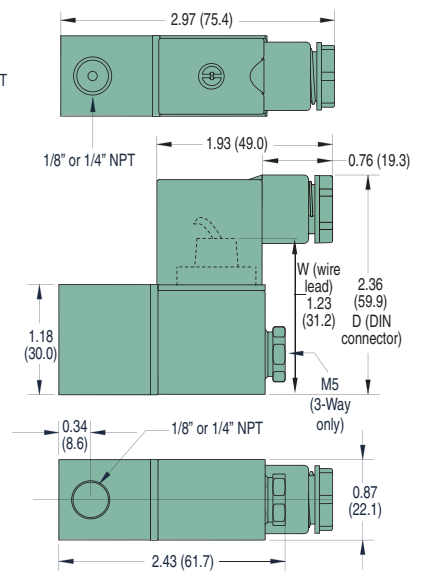


3-Station Configuration

2-Way & 3-Way Valves (Stacking)



2-Way & 3-Way Valves (non-Stacking)



Two-Way Valves	Three-Way Valves	Inlet	Outlet	Exhaust	Cv/scfm*
MME-2PDS-	MME-3PDS-	1/8" NPT	1/8" NPT	M5	0.12/6.7
MME-2SDS-**	MME-3SDS-**	1/8" NPT	1/8" NPT	M5	0.05/2.3
MME-2QDS-	MME-3QDS-	1/4" NPT	1/4" NPT	M5	0.12/6.7

** Stacking Valve

* scfm based on flow @ 100 psig

Add Electrical Connection and Voltage Choices to the end of each Base Part Number - Example: **MME-2QDS-W220**

Three-Way 2-Position Single & Double Solenoid Valves



MME-33WES-D110



MME-32QEE-D110

Maximatic® three-way electronic valves are either N.C. single solenoid spring return or double solenoid spool valves in #10-32 to 1/2" NPT port sizes.

Medium: Air (40 micron filtration) or Inert Gas

Operating Range: 20 to 125 psig

Electrical Connection: DIN connector with LED indicator ("-D"), or 18" Wire Lead ("-W")

Voltage: 12-volt DC ("-012"), 24-volt DC ("-024"), 24-volt AC ("-24A"), 110-volt AC ("-110"), or 220-volt AC ("-220")

Number of Ports: 3

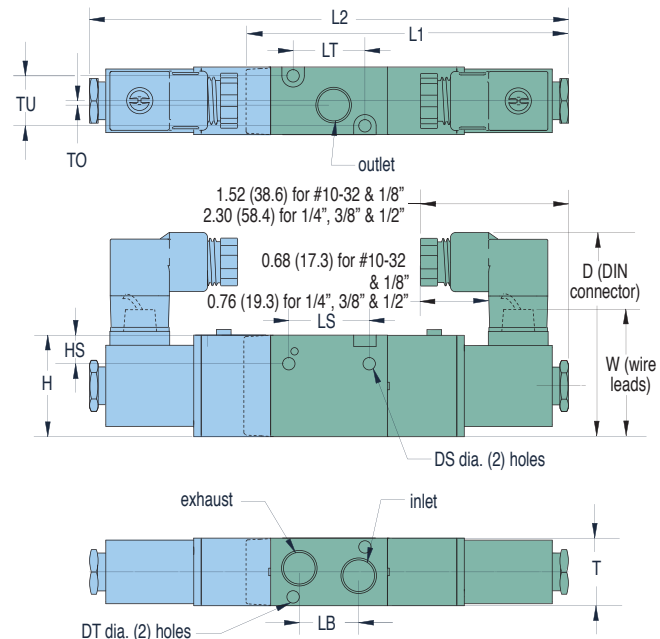
Mounting: Body Ported, Manifold Mount, Actuator (1/4" NPT only) or NAMUR (3/8" NPT only) available. See Page 10.

Manual Override: Non-locking on MME-31 series. Locking on all other models.

Power Consumption: 2.5 Watts on MME-31 series; 3 Watts for all others.

MAXIMUM
Value. ←
→ Performance.

Dim.	MME-31	MME-32	MME-33	MME-34
D	2.14 (54.4)	2.65 (67.3)	2.71 (68.8)	2.94 (74.7)
DS	0.13 (3.3)	0.17 (4.3)	0.17 (4.3)	0.22 (5.6)
DT	0.13 (3.3)	0.13 (3.3)	0.17 (4.3)	0.17 (4.3)
H	1.07 (27.2)	1.38 (35.1)	1.58 (40.1)	1.97 (50.0)
HS	0.30 (7.6)	0.31 (7.9)	0.41 (10.4)	0.53 (13.5)
L1	3.38 (85.9)	4.39 (111.5)	4.70 (119.4)	5.39 (136.9)
L2	5.02 (127.5)	6.49 (164.8)	6.76 (171.7)	7.55 (191.8)
LB	0.63 (16.0)	0.71 (18.0)	0.94 (23.9)	1.42 (36.1)
LS	0.83 (21.1)	0.98 (24.9)	1.18 (30.0)	2.01 (51.1)
LT	0.75 (19.1)	1.30 (33.0)	1.38 (35.1)	1.73 (43.9)
T	0.71 (18.0)	0.87 (22.1)	1.06 (26.9)	1.34 (34.0)
TO	0.06 (1.5)	0.06 (1.5)	0.16 (4.1)	0.16 (4.1)
TU	0.71 (18.0)	0.87 (22.1)	1.06 (26.9)	1.34 (34.0)
W	1.32 (33.5)	1.51 (38.4)	1.54 (39.1)	1.73 (43.9)



Single Solenoid Valves		Double Solenoid Valves		Inlet	Outlet	Exhaust	Cv/scfm*
MME-31NES-		MME-31NEE-		#10-32	#10-32	#10-32	0.58/27
MME-31PES-		MME-31PEE-		1/8" NPT	1/8" NPT	1/8" NPT	0.67/31
MME-32QES-		MME-32QEE-		1/4" NPT	1/4" NPT	1/8" NPT	0.89/49
MME-33WES-		MME-33WEE-		3/8" NPT	3/8" NPT	1/4" NPT	1.68/93
MME-34ZES-		MME-34ZEE-		1/2" NPT	1/2" NPT	1/2" NPT	2.79/171

* scfm based on flow @ 100 psig

Add Electrical Connection and Voltage Choices to the end of each Base Part Number - Example: **MME-34ZEE-W024**



Four-Way 2-Position Single & Double Solenoid Valves



Maximatic® four-way solenoid controlled pilot operated valves are either single solenoid spring return or double solenoid spool valves in #10-32 thread to 1/2" NPT port sizes.

Medium: Air (40 micron filtration) and Inert Gas

Operating Range: 20 to 125 psig

Electrical Connection: DIN connector with LED indicator ("-D"), or 18" Wire Lead ("-W")

Voltage: 12-volt DC ("-012"), 24-volt DC ("-024"), 24-volt AC ("-24A"), 110-volt AC ("-110"), or 220-volt AC ("-220")

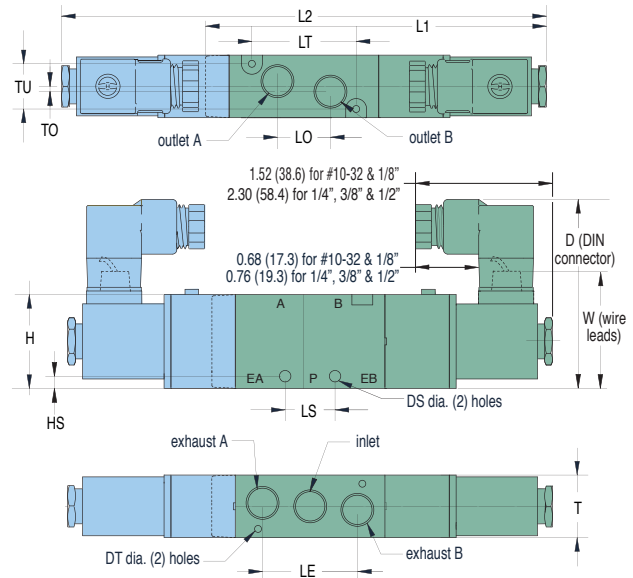
Number of Ports: 5

Mounting: Body Ported, Manifold Mount

Manual Override: Non-locking on MME-41 models. Locking on all other models.

Power Consumption: 2.5 Watts on MME-41 models; 3 Watts for all others.

Dim.	MME-41	MME-42	MME-43	MME-44
D	2.14 (54.4)	2.65 (67.3)	2.71 (68.8)	2.94 (74.7)
DS	0.13 (3.3)	0.17 (4.3)	0.17 (4.3)	0.21 (5.3)
DT	0.13 (3.3)	0.13 (3.3)	0.17 (4.3)	0.17 (4.3)
H	1.07 (27.2)	1.38 (35.1)	1.58 (40.1)	1.97 (50.0)
HS	0.16 (4.1)	0.28 (7.1)	0.26 (6.6)	0.29 (7.4)
L1	3.81 (96.8)	4.49 (114.0)	5.19 (131.8)	6.39 (162.3)
L2	5.54 (140.7)	6.49 (164.8)	7.24 (183.9)	8.48 (215.4)
LE	1.09 (27.7)	1.42 (36.1)	1.77 (45.0)	2.48 (63.0)
LO	0.63 (16.0)	0.74 (13.9)	0.96 (24.4)	1.42 (36.1)
LS	0.56 (14.2)	0.98 (24.9)	0.95 (24.1)	1.11 (28.2)
LT	1.18 (30.0)	1.40 (35.6)	1.97 (50.0)	2.82 (71.6)
T	0.71 (18.0)	0.86 (21.8)	1.06 (26.1)	1.34 (34.0)
TO	0.11 (2.8)	0.13 (3.3)	0.16 (4.1)	0.19 (4.8)
TU	0.50 (12.7)	0.65 (16.5)	0.80 (20.3)	1.07 (27.2)
W	1.32 (33.5)	1.51 (38.4)	1.54 (39.1)	1.73 (43.9)



Single Solenoid Valves		Double Solenoid Valves		Inlet	Outlet	Exhaust	Cv/scfm*
MME-41NES-		MME-41NEE-		#10-32	#10-32	#10-32	0.58/27
MME-41PES-		MME-41PEE-		1/8" NPT	1/8" NPT	1/8" NPT	0.67/31
MME-42QES-		MME-42QEE-		1/4" NPT	1/4" NPT	1/8" NPT	0.89/49
MME-43WES-		MME-43WEE-		3/8" NPT	3/8" NPT	1/4" NPT	1.68/93
MME-44ZES-		MME-44ZEE-		1/2" NPT	1/2" NPT	1/2" NPT	2.79/171

* scfm based on flow @ 100 psig

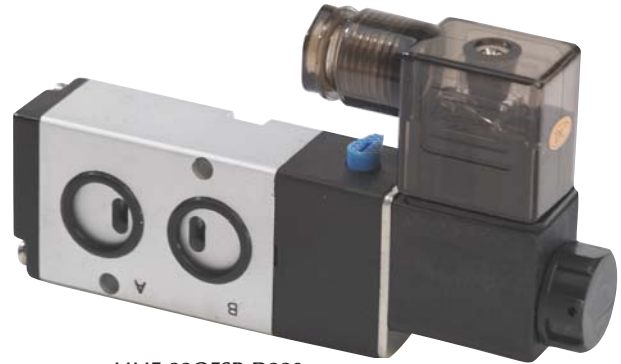
Add Electrical Connection and Voltage Choices to the end of each Base Part Number - Example: **MME-43WEE-D110**

Three- & Four-Way 2-Position Single Solenoid Valves

1/4" & 3/8" NAMUR Style



MME-33WESB-D012



MME-32QESB-D220

Maximatic® three-way and four-way single solenoid spring return spool valves are also available in 1/4" NPT actuator mount or 3/8" NAMUR mount.

Medium: Air (40 micron filtration) or Inert Gas

Operating Range: 20 to 125 psig

Electrical Connection: DIN terminal with LED indicator ("-D"), or Grommet with 18" Wire Lead ("-W")

Voltage: 12-volt DC ("-012"), 24-volt DC ("-024"), 24-volt AC ("-24A"), 110-volt AC ("-110"), or 220-volt AC ("-220")

Number of Ports: 3 or 5

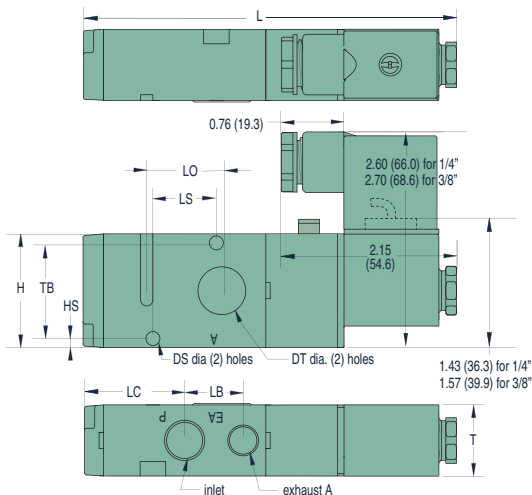
Mounting: Actuator (1/4" NPT only) or NAMUR (3/8" NPT only).

Manual Override: Locking

Power Consumption: 3 Watts

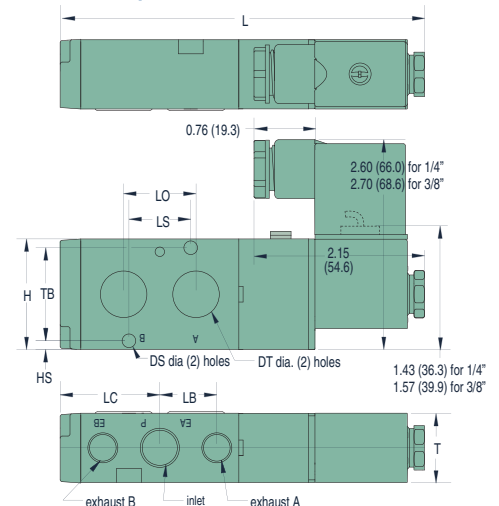
NAMUR/Actuator mount available on other three- and four-way Electronic and Air Pilot valves—
Call for specifications.

3-Way Solenoid Valves



Dim.	1/4" NPT	3/8" NPT
DS	0.17 (4.3)	0.22 (5.6)
DT	0.72 (18.3)	0.78 (19.8)
H	1.38 (35.1)	1.58 (40.1)
HS	0.09 (2.3)	0.15 (3.8)
L	4.49 (114.0)	5.19 (131.8)
LC	1.21 (30.7)	1.57 (39.9)
LB	0.71 (18.0)	0.94 (23.9)
LO	0.91 (23.1)	0.94 (23.9)
LS	0.79 (20.1)	0.94 (23.9)
T	0.86 (21.8)	1.06 (26.9)
TB	1.14 (29.0)	1.26 (32.0)

4-Way Solenoid Valves



3-Way Single Solenoid Valves		Supply Port	Outlet	Exhaust	Cv/scfm*
MME-32QESB-		1/4" NPT	0.72"	1/4" NPT	0.89/49
MME-33WESB-		3/8" NPT	0.78"	1/4" NPT	1.68/93
4-Way Single Solenoid Valves		Supply Port	Outlet	Exhaust	Cv/scfm*
MME-42QESB-		1/4" NPT	0.72"	1/4" NPT	0.89/49
MME-43WESB-		3/8" NPT	0.78"	1/4" NPT	1.68/93

* scfm based on flow @ 100 psig

Add Electrical Connection and Voltage Choices to the end of each Base Part Number - Example: **MME-42QESB-D110**



Four-Way 3-Position Spring Centered Double Solenoid Valves



MME-44ZEEC-D024

Maximatic® four-way double solenoid spring centered valves with closed center, pressure center or exhaust center spools are available from #10-32 thread to 1/2" NPT port sizes.

Mounting: Body Ported, Manifold Mount

Manual Override: Non-locking on MME-41 Series. Locking on all other models.

Power Consumption: 2.5 Watts on MME-41 models; 3 Watts for all others.

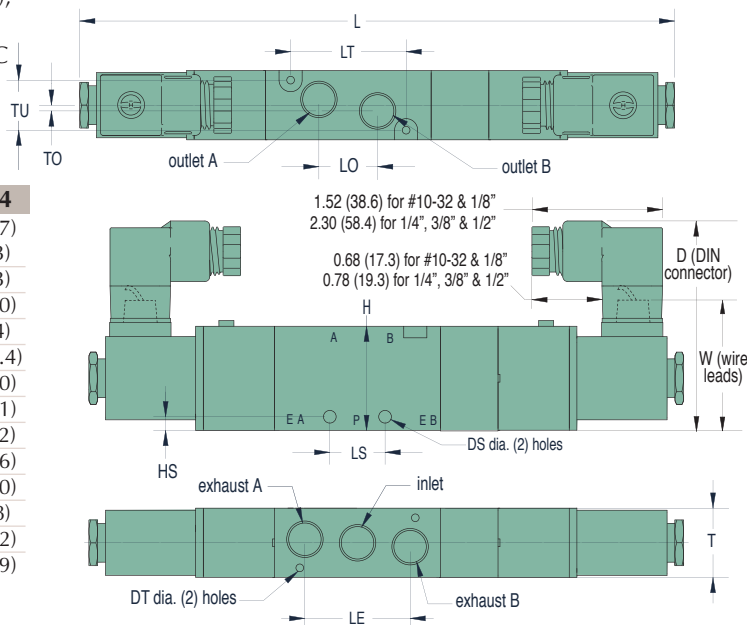
Medium: Air (40 micron filtration) or Inert Gas

Operating Range: 20 to 125 psig

Electrical Connection: DIN terminal with LED indicator ("-D"), or 18" Wire Lead ("-W")

Voltage: 12-volt DC ("-012"), 24-volt DC ("-024"), 24-volt AC ("-24A"), 110-volt AC ("-110"), or 220-volt AC ("-220")

Number of Ports: 5



Dim.	MME-41	MME-42	MME-43	MME-44
D	2.14 (54.4)	2.65 (67.3)	2.71 (68.8)	2.94 (74.7)
DS	0.13 (3.3)	0.17 (4.3)	0.17 (4.3)	0.21 (5.3)
DT	0.13 (3.3)	0.13 (3.3)	0.17 (4.3)	0.17 (4.3)
H	1.07 (27.2)	1.38 (35.1)	1.58 (40.1)	1.97 (50.0)
HS	0.16 (4.1)	0.28 (7.1)	0.26 (6.6)	0.29 (7.4)
L	6.13 (155.7)	7.24 (183.9)	7.98 (202.7)	8.48 (215.4)
LE	1.09 (27.7)	1.42 (36.1)	1.77 (45.0)	2.48 (63.0)
LO	0.63 (16.0)	0.74 (18.8)	0.96 (24.4)	1.42 (36.1)
LS	0.56 (14.2)	0.98 (24.9)	0.95 (24.1)	1.11 (28.2)
LT	1.18 (30.0)	1.40 (35.6)	1.97 (50.0)	2.82 (71.6)
T	0.71 (18.0)	0.86 (21.8)	1.06 (26.9)	1.34 (34.0)
TO	0.11 (2.8)	0.13 (3.3)	0.16 (4.1)	0.19 (4.8)
TU	0.50 (12.7)	0.65 (16.5)	0.80 (20.3)	1.07 (27.2)
W	1.32 (33.5)	1.51 (38.4)	1.54 (39.1)	1.73 (43.9)



Closed Center	Pressure Center	Exhaust Center	Inlet	Outlet	Exhaust	Cv/scfm*
<u>MME-41NEEC-</u>	<u>MME-41NEEP-</u>	<u>MME-41NEEE-</u>	#10-32	#10-32	#10-32	0.50/23
<u>MME-41PEEC-</u>	<u>MME-41PEEP-</u>	<u>MME-41PEEE-</u>	1/8" NPT	1/8" NPT	1/8" NPT	0.50/23
<u>MME-42QEEC-</u>	<u>MME-42QEPP-</u>	<u>MME-42QEEE-</u>	1/4" NPT	1/4" NPT	1/8" NPT	0.89/49
<u>MME-43WEEC-</u>	<u>MME-43WEEP-</u>	<u>MME-43WEEE-</u>	3/8" NPT	3/8" NPT	1/4" NPT	1.00/72
<u>MME-44ZEEC-</u>	<u>MME-44ZEPP-</u>	<u>MME-44ZEEE-</u>	1/2" NPT	1/2" NPT	1/2" NPT	1.68/93

* scfm based on flow @ 100 psig

Add Electrical Connection and Voltage Choices to the end of each Base Part Number - Example: MME-41PEEP-W024