

Clippard Push-Quick Fittings provide a simple method of connecting pneumatic components to each other and system piping. They are designed for use with both flexible hose and stiff tubing made of nylon, urethane, polyethylene or polypropylene.

- Pressure Range:** 0 - 150 psig @ 130° F
- Vacuum:** 0 - 29.5 in Hg
- Temperature Range:** 32 - 140° F
- Media:** Air, Non-corrosive water
- Tube Pull Out Force:** >20 lb. @ 75° F (non-pressurized)
- Burst Pressure:** 350 psig @ 75° F
- Materials:** Body - Plastic Resin
Metal Stud - Nickel Plated Brass
Gripper Ring - Stainless Steel
Seals - Buna N

Push-Quick Fittings generally provide higher flows than barbed fittings. The Push-Quick fitting allows full flow through the hose/tubing I.D. with no smaller orifice required as in barb fittings. The chart shows the comparison between barb and push in fittings for various tubing/hose sizes. Push-Quick Fittings are available in five sizes for 1/8", 5/32", 6 mm, 1/4" and 3/8" O.D. tubing. The 5/32" fittings may also be used with 4 mm O.D. tubing.

Installation of Tubing into fitting

1. Slowly push a clean and perpendicularly cut tubing into the fitting until it comes to a dead stop.
2. Pull the tubing back gently until the Gripper Ring of the fitting grips onto the tubing and has a good seal.

Removal of Tubing from fitting

1. Push in evenly on the two long oval sides of the Release Button.
2. Pull out the tubing while keeping the Release Button depressed.
3. To reuse the tubing; cut off the lodged portion of the previously used tubing evenly and perpendicularly.

Installation of Pipe Fittings with Pre-Applied sealant

1. Tighten fitting by hand, then turn it 2 or 3 turns with a wrench until it reaches the desired torque listed.
2. If the fitting is used and the sealant coating is not in good condition, apply Teflon® sealant tape to the threads.



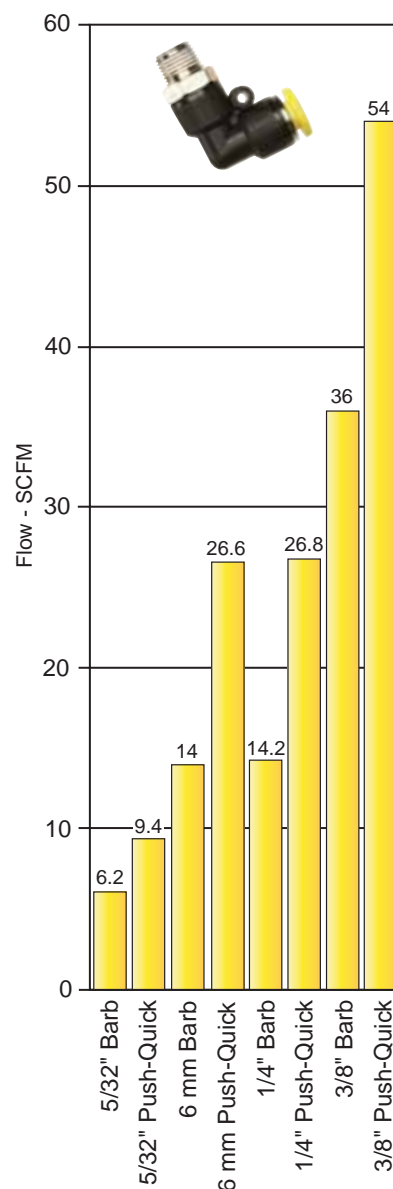
* 6 mm size fittings have a green release button

Thread Size	#10-32	1/8" NPT, R1/8	1/4" NPT, R1/4	3/8" NPT	1/2" NPT
Torque lb. - ft.	1.0 - 1.5	5.0 - 6.5	8.5 - 10.0	16.0 - 17.5	20 - 21.5

Tubing Material	Polyurethane	Polyethylene	Polypropylene	Nylon
Specified Size	+/- 0.005"	+/- 0.004"	+/- 0.004"	+/- 0.004"
Hardness (Durometer)	Shore A85 or higher	Shore D 44 or higher	Shore D 44 or higher	Shore D 44

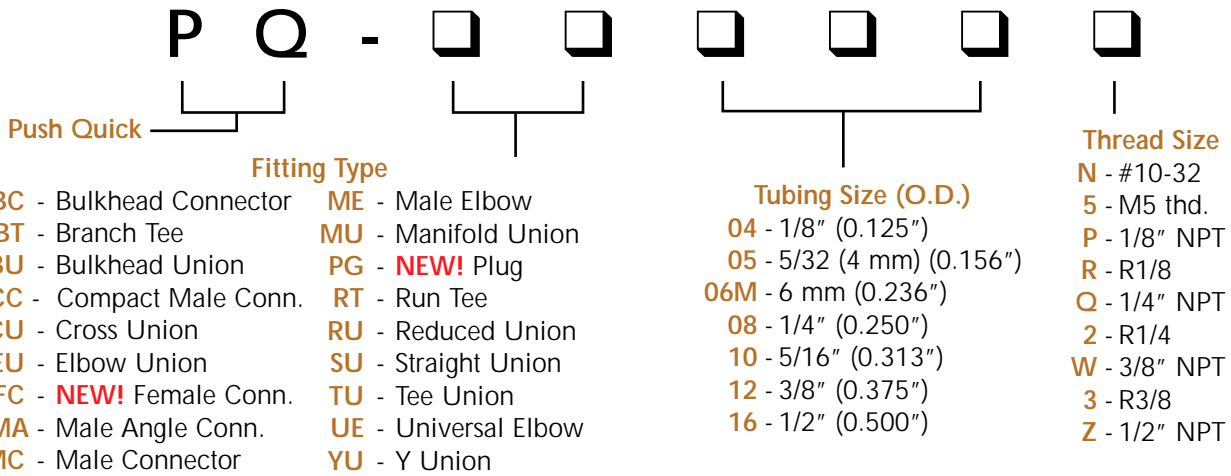
see pages 333 through 338 for hose and tubing

Barb vs Push-Quick Fittings Flow Comparison @ 100 psig





PUSH-QUICK FITTINGS



Threaded Fittings



Tube	Thread	Female Connector FC	Male Compact Connector CC	Male Connector MC	Male Elbow ME	Run Tee RT	Branch Tee BT	Universal Elbow UE	Male Angle Connector MA	Bulkhead Connector BC
1/8"	#10-32 1/8" NPT		PQ-CC04N PQ-CC04P		PQ-ME04N PQ-ME04P				PQ-MA04N PQ-MA04P	PQ-BC04P
5/32"*** (4 mm)	#10-32 M5 thd. 1/8" NPT R1/8 1/4" NPT	PQ-FC05N PQ-FC005 PQ-FC05P PQ-FC05R	PQ-CC05N PQ-CC05P	PQ-MC05N PQ-MC055 PQ-MC05P PQ-MC05R PQ-MC05Q	PQ-ME05N PQ-ME055 PQ-ME05P PQ-ME05R PQ-ME05Q	PQ-RT05N PQ-RT055 PQ-RT05P PQ-RT05R	PQ-BT05N PQ-BT055 PQ-BT05P PQ-BT05R	PQ-UE05N PQ-UE055 PQ-UE05P PQ-UE05R	PQ-MA05N PQ-MA055 PQ-MA05P PQ-MA05R	PQ-BC05P PQ-BC05R
6 mm*	M5 thd. R1/8 R1/4	PQ-FC06MR PQ-FC06M2		PQ-MC06M5 PQ-MC06MR PQ-MC06M2	PQ-ME06M5 PQ-ME06MR PQ-ME06M2	PQ-RT06M5 PQ-RT06MR PQ-RT06M2	PQ-BT06M5 PQ-BT06MR PQ-BT06M2	PQ-UE06M5 PQ-UE06MR PQ-UE06M2	PQ-MA06M5 PQ-MA06MR PQ-MA06M2	PQ-BC06MR PQ-BC06M2
1/4"	#10-32 1/8" NPT 1/4" NPT 3/8" NPT	PQ-FC08P PQ-FC08Q	PQ-CC08N PQ-CC08P PQ-CC08Q	PQ-MC08N PQ-MC08P PQ-MC08Q PQ-MC08W	PQ-ME08N PQ-ME08P PQ-ME08Q PQ-ME08W	PQ-RT08N PQ-RT08P PQ-RT08Q	PQ-BT08N PQ-BT08P PQ-BT08Q	PQ-UE08N PQ-UE08P PQ-UE08Q	PQ-MA08N PQ-MA08P PQ-MA08Q PQ-MA08W	PQ-BC08P PQ-BC08Q
5/16"	M5 thd. 1/8" NPT R1/8 1/4" NPT R1/4 3/8" NPT R3/8	PQ-FC10P PQ-FC10R PQ-FC10Q PQ-FC102 PQ-FC10W PQ-FC103		PQ-MC105 PQ-MC10P PQ-MC10R PQ-MC10Q PQ-MC102 PQ-MC10W PQ-MC103	PQ-ME10P PQ-ME10R PQ-ME10Q PQ-ME102 PQ-ME10W PQ-ME103	PQ-RT10P PQ-RT10R PQ-RT10Q PQ-RT102 PQ-RT10W PQ-RT103	PQ-BT10P PQ-BT10R PQ-BT10Q PQ-BT102 PQ-BT10W PQ-BT103	PQ-UE10P PQ-UE10R PQ-UE10Q PQ-UE102 PQ-UE10W PQ-UE103	PQ-MA10P PQ-MA10Q	PQ-BC10P PQ-BC10R PQ-BC10Q PQ-BC102
3/8"	1/8" NPT 1/4" NPT 3/8" NPT 1/2" NPT	PQ-FC12Q PQ-FC12W	PQ-CC12Q PQ-CC12W	PQ-MC12P PQ-MC12Q PQ-MC12W PQ-MC12Z	PQ-ME12P PQ-ME12Q PQ-ME12W PQ-ME12Z	PQ-RT12P PQ-RT12Q PQ-RT12W	PQ-BT12P PQ-BT12Q PQ-BT12W	PQ-UE12Q PQ-UE12W	PQ-MA12P PQ-MA12Q PQ-MA12W	PQ-BC12Q PQ-BC12W
1/2"	1/4" NPT 3/8" NPT 1/2" NPT			PQ-MC16Q PQ-MC16W PQ-MC16Z	PQ-ME16Q PQ-ME16W PQ-ME16Z				PQ-MA16Q PQ-MA16W PQMA16Z	

* 6 mm size fittings have a green release button.

** 5/32" fittings may be used with 4 mm tubing

Note: Fittings with pipe thread (NPT), R1/8 and R1/4 are supplied with pre-applied sealant.

PUSH-QUICK FITTINGS

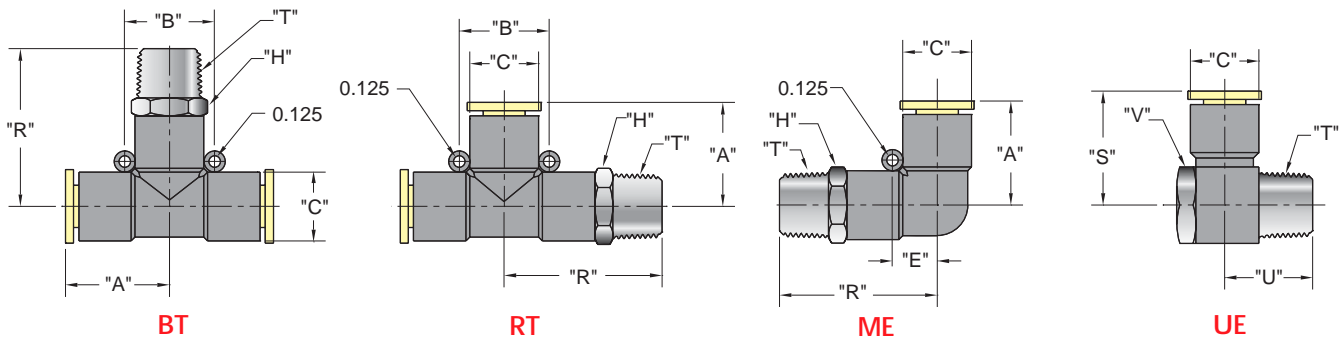
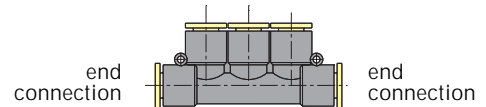


Tube Size	Non-Threaded Fittings							
	Straight Union SU	Reduced Union RU	Elbow Union EU	Tee Union TU	Y Union YU	Cross Union CU	Bulkhead Union BU	Manifold Union MU**
1/8"	PQ-SU04		PQ-EU04	PQ-TU04	PQ-YU04	PQ-CU04		
5/32" (4 mm)	PQ-SU05	PQ-RU0504	PQ-EU05	PQ-TU05	PQ-YU05	PQ-CU05	PQ-BU05	PQ-MU0504
6 mm*	PQ-SU06M	PQ-RU06M05	PQ-EU06M	PQ-TU06M	PQ-YU06M	PQ-CU06M	PQ-BU06M	PQ-MU06M05
1/4"	PQ-SU08	PQ-RU0804 PQ-RU0805	PQ-EU08	PQ-TU08	PQ-YU08	PQ-CU08	PQ-BU08	PQ-MU0805
5/16"	PQ-SU10	PQ-RU1008	PQ-EU10	PQ-TU10	PQ-YU10	PQ-CU10	PQ-BU10	PQ-MU1008
3/8"	PQ-SU12	PQ-RU1208	PQ-EU12	PQ-TU12	PQ-YU12	PQ-CU12	PQ-BU12	PQ-MU1208
1/2"	PQ-SU16	PQ-RU1612	PQ-EU16	PQ-TU16	PQ-YU16		PQ-BU16	

* 6 mm size fittings have a green release button.

** The first size listed in the part number are the end connections, the second size listed are the branch connections.

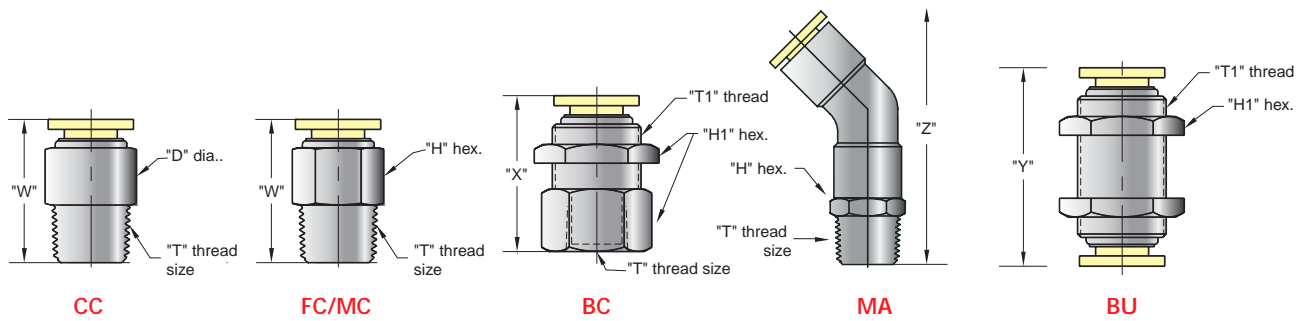
branch connections



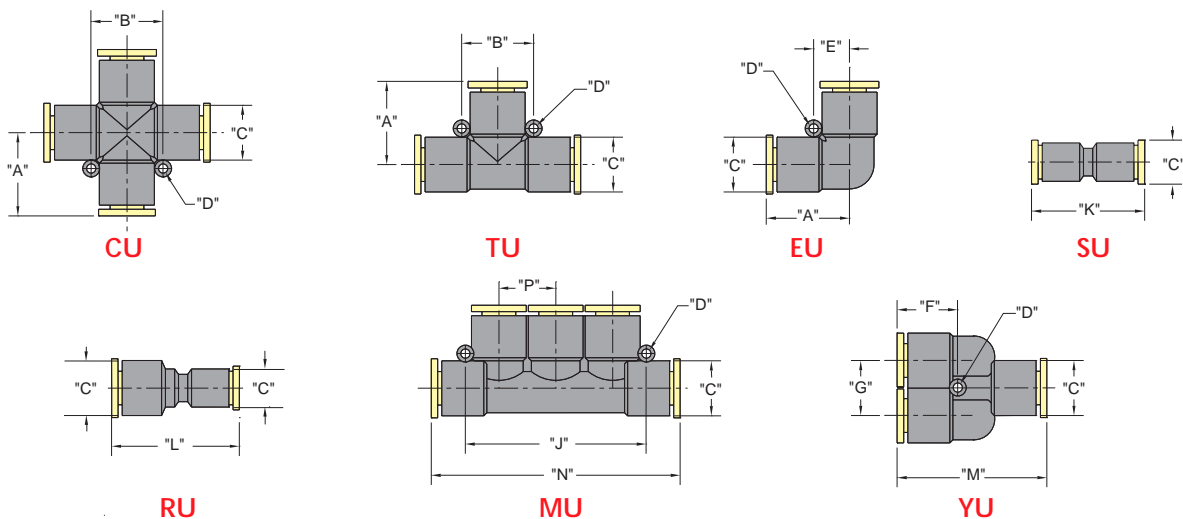
Tube Size	Thread Size "T"	"A"	"B"	"C"	"E"	"H"	"R"	"S"	"U"	"V"
1/8"	#10-32	0.722"		0.410"	0.328"	7/16"	0.900"			
1/8"	1/8" NPT	0.722"		0.410"	0.328"	7/16"	0.980"			
5/32" (4 mm)	#10-32	0.722"	0.656"	0.410"	0.328"	7/16"	0.900"	0.820"	0.440"	5/16"
5/32" (4 mm)	M5 x 0.8	0.722"	0.656"	0.410"	0.328"	10 mm	0.900"	0.831"	0.449"	8 mm
5/32" (4 mm)	1/8" NPT	0.722"	0.656"	0.410"	0.328"	7/16"	0.980"	0.920"	0.570"	7/16"
5/32" (4 mm)	R1/8	0.722"	0.656"	0.410"	0.328"	10 mm	0.980"	0.921"	0.563"	10 mm
5/32" (4 mm)	1/4" NPT	0.722"	0.656"	0.410"	0.328"	7/16"	1.130"			
6 mm	M5 x 0.8	0.830"	0.740"	0.524"	0.370"	12 mm	1.030"	0.953"	0.500"	12 mm
6 mm	R1/8	0.830"	0.740"	0.524"	0.370"	12 mm	1.100"	0.976"	0.587"	12 mm
6 mm	R1/4	0.830"	0.740"	0.524"	0.370"	14 mm	1.140"	1.059"	0.654"	14 mm
1/4"	#10-32	0.840"	0.740"	0.524"	0.370"	1/2"	1.030"	0.940"	0.480"	1/2"
1/4"	1/8" NPT	0.840"	0.740"	0.524"	0.370"	1/2"	1.100"	0.990"	0.600"	1/2"
1/4"	1/4" NPT	0.840"	0.740"	0.524"	0.370"	9/16"	1.230"	1.120"	0.740"	9/16"
1/4"	3/8" NPT	0.840"	0.740"	0.524"	0.370"	11/16"	1.290"			
3/8"	1/8" NPT	1.100"	0.944"	0.720"	0.472"	11/16"	1.350"			
3/8"	1/4" NPT	1.100"	0.944"	0.720"	0.472"	11/16"	1.470"	1.320"	0.800"	11/16"
3/8"	3/8" NPT	1.100"	0.944"	0.720"	0.472"	11/16"	1.160"	1.550"	0.900"	11/16"
1/2"	1/4" NPT	1.160"		0.850"	0.570"	7/8"	1.550"			
1/2"	3/8" NPT	1.160"		0.850"	0.570"	7/8"	1.580"			
1/2"	1/2" NPT	1.160"		0.850"	0.570"	7/8"	1.670"			



PUSH-QUICK FITTINGS



Tube Size	Thread Size "T"	"D"	"H"	"H1"	"T1"	"W"	"X"	"Y"	"Z"
1/8"	#10-32	0.410"			7/16"	0.880"			1.454
1/8"	1/8" NPT	0.410"			7/16"	0.860"			1.474
5/32" (4 mm)	#10-32	0.410"	7/16"		7/16"	0.890"	0.820"	0.440"	1.454"
5/32" (4 mm)	M5 x 0.8		10 mm		10 mm	0.900"	0.830"	0.450"	1.454
5/32" (4 mm)	1/8" NPT	0.410"	7/16"	5/8"	7/16"	0.840"	0.920"	0.570"	1.474
5/32" (4 mm)	R 1/8		10 mm	14 mm	10 mm	0.840"	0.920"	0.563"	1.474
5/32" (4 mm)	1/4" NPT		9/16"			0.920"			
6 mm	M5 X 0.8		12 mm		12 mm	0.950"	0.953"	0.500"	1.556
6 mm	R 1/8		10 mm	17 mm	12 mm	0.880"	0.976"	0.587"	1.556
6 mm	R 1/4		14 mm	17 mm	14 mm	0.875"	1.059"	0.654"	1.616
1/4"	#10-32	0.470"	1/2"		1/2"	0.913"	0.940"	0.480"	1.620
1/4"	1/8" NPT	0.470"	1/2"	3/4"	1/2"	0.913"	0.990"	0.600"	1.620
1/4"	1/4" NPT	0.530"	9/16"	3/4"	9/16"	0.965"	1.120"	0.740"	1.682
1/4"	3/8" NPT		11/16"		11/16"	0.965"			1.722
3/8"	1/8" NPT		11/16"		11/16"	1.280"			1.823
3/8"	1/4" NPT	0.670"	11/16"	15/16"	11/16"	1.342"	1.320"	0.800"	1.923
3/8"	3/8" NPT	0.670"	11/16"	15/16"	11/16"	1.241"	1.320"	0.900"	1.943
1/2"	1/4" NPT		7/8"		7/8"	1.380"			1.965
1/2"	3/8" NPT		7/8"		7/8"	1.320"			2.125
1/2"	1/2" NPT		7/8"		7/8"	1.320"			2.195

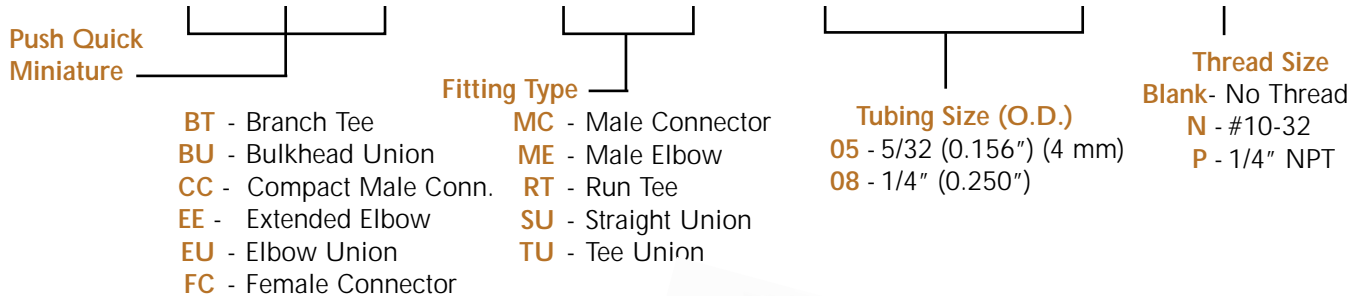


Tube Size	"A"	"B"	"C"	"D"	"E"	"F"	"G"	"J"	"K"	"L"	"M"	"N"	"P"
1/8"	0.710	0.560	0.420	0.080					1.240				
5/32" (4 mm)	0.722	0.656	0.410	0.125	0.328	0.512	0.517	1.608	1.239	1.230	1.318	2.312	0.531
6 mm	0.830	0.740	0.524	0.125	0.370	0.568	0.531	1.608	1.500	1.367	1.495	2.435	0.531
1/4"	0.840	0.740	0.524	0.125	0.370	0.604	0.531	1.608	1.500	1.666	1.495	2.435	0.531
3/8"	1.100	0.944	0.720	0.125	0.472	0.740	0.720	1.850	1.851	1.666	2.017	2.312	0.531
1/2"	1.130	1.120	0.850	0.100	0.570	0.780	0.840		1.810	1.810	2.070		

NEW! MINIATURE PUSH-QUICK FITTINGS



P Q M -      










Like Clippard's larger series Push-Quick Fittings available on the previous pages, the new Miniature Push-Quick Fittings speed tube insertion for assembling pneumatic circuits. The fittings provide a simple method to connect pneumatic components and accept both flexible hose and rigid tubing.





New, Much Smaller in Size!

Available in 5/32" (4 mm) and 1/4" OD tubing, the fittings permit full flow through the ID and there is no small orifice as required with barb fittings. They are available in many configurations with preapplied thread sealant.

Pressure Range: 0 - 150 psig @ 130° F
Vacuum: 0 - 29.5 in Hg
Temperature Range: 32 - 140° F
Media: Air, Non-corrosive water
Tube Pull Out Force: >20 lb. @ 75° F (non-pressurized)
Burst Pressure: 350 psig @ 75° F
Materials: Body - Plastic Resin
 Metal Stud - Nickel Plated Brass
 Gripper Ring - Stainless Steel
 Seals - Buna N

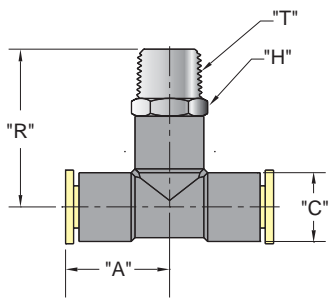
Threaded Fittings								
Tube	Thread	Male Compact Connector CC	Male Connector MC	Male Elbow ME	Run Tee RT	Branch Tee BT	Extended Elbow EE	Female Connector FC
5/32" (4 mm)	#10-32	PQM-CC05N	PQM-MC05N	PQM-ME05N	PQM-RT05N	PQM-BT05N	PQM-EE05N	PQM-FC05N
	1/8" NPT	PQM-CC05P	PQM-MC05P	PQM-ME05P	PQM-RT05P	PQM-BT05P	PQM-EE05P	PQM-FC05P
1/4"	#10-32	PQM-CC08N	PQM-MC08N	PQM-ME08N	PQM-RT08N	PQM-BT08N	PQM-EE08N	PQM-FC08N
	1/8" NPT	PQM-CC08P	PQM-MC08P	PQM-ME08P	PQM-RT08P	PQM-BT08P	PQM-EE08P	PQM-FC08P

Note: Fittings with pipe thread NPT are supplied with pre-applied sealant.

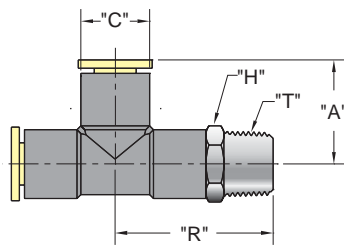
Non-Threaded Fittings					
Tube Size		Straight Union SU	Elbow Union EU	Tee Union TU	Bulkhead Union BU
5/32" (4 mm)		PQM-SU05	PQM-EU05	PQM-TU05	PQM-BU05
1/4"		PQM-SU08	PQM-EU08	PQM-TU08	PQM-BU08



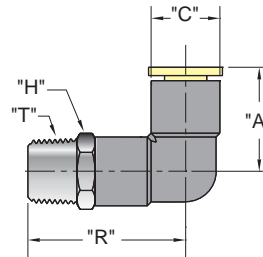
NEW! MINIATURE PUSH-QUICK FITTINGS



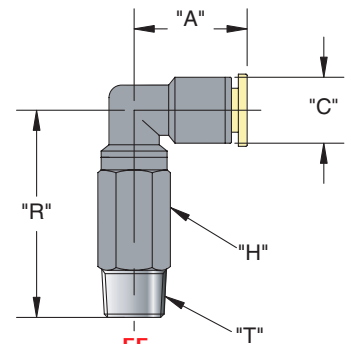
BT



RT

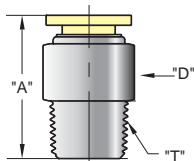


ME

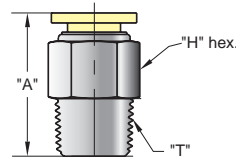


EE

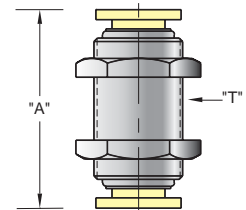
Part Number	Tubing Size	"T" Thread	"A"	"C"	"H"	"R"	Part Number	Tubing Size	"T" Thread	"A"	"C"	"H"	"R"
PQM-BT05N	5/32"	#10-32	0.593"	0.335"	5/16"	0.645"	PQM-ME05N	5/32"	#10-32	0.618"	0.335"	5/16"	0.512"
PQM-BT05P	5/32"	1/8" NPT	0.593"	0.335"	13/32"	0.783"	PQM-ME05P	5/32"	1/8" NPT	0.618"	0.335"	13/32"	0.650"
PQM-BT08N	1/4"	#10-32	0.700"	0.413"	13/32"	0.787"	PQM-ME08N	1/4"	#10-32	0.700"	0.413"	13/32"	0.807"
PQM-BT08P	1/4"	1/8" NPT	0.700"	0.413"	13/32"	0.846"	PQM-ME08P	1/4"	1/8" NPT	0.700"	0.413"	13/32"	0.866"
PQM-RT05N	5/32"	#10-32	0.551"	0.335"	5/16"	0.622"	PQM-EE05N	5/32"	#10-32	0.618"	0.335"	5/16"	0.965"
PQM-RT05P	5/32"	1/8" NPT	0.551"	0.335"	13/32"	0.760"	PQM-EE05P	5/32"	1/8" NPT				
PQM-RT08N	1/4"	#10-32	0.669"	0.413"	13/32"	0.807"	PQM-EE08N	1/4"	#10-32	0.701"	0.413"	13/32"	1.240"
PQM-RT08P	1/4"	1/8" NPT	0.669"	0.413"	13/32"	0.866"	PQM-EE08P	1/4"	1/8" NPT	0.701"	0.413"	13/32"	1.319"



CC



FC/MC

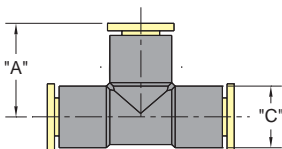


BU

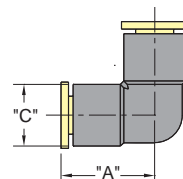
Tubing Size	"T" Thread	"A"	"D"
5/32"	#10-32	0.708"	5/16"
5/32"	1/8" NPT		13/32"
1/4"	#10-32	0.780"	13/32"
1/4"	1/8" NPT	0.783"	13/32"

Tubing Size	"T" Thread	"A"	"H"
5/32"	#10-32	0.693"	5/16"
5/32"	1/8" NPT	0.712"	13/32"
1/4"	#10-32	0.748"	13/32"
5/32"	1/8" NPT	0.768"	13/32"

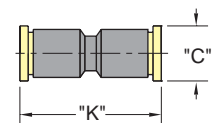
Tubing Size	"T" Thread	"A"
5/32"		1.200"
1/4"		



TU



EU



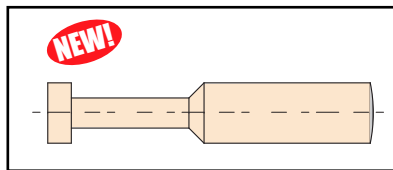
SU

Tubing Size	"A"	"C"
5/32"	0.539"	0.335"
1/4"	0.720"	0.413"

Tubing Size	"A"	"C"
5/32"	0.618"	0.452"
1/4"	0.700"	0.539"

Tubing Size	"C"	"K"
5/32"	0.335"	0.921"
1/4"		

PUSH-QUICK FITTINGS



Push-Quick Plugs

Clippard offers a variety of Push-Quick Plugs in sizes to fit 1/8" through 3/8" OD tubing. These plastic plugs may be

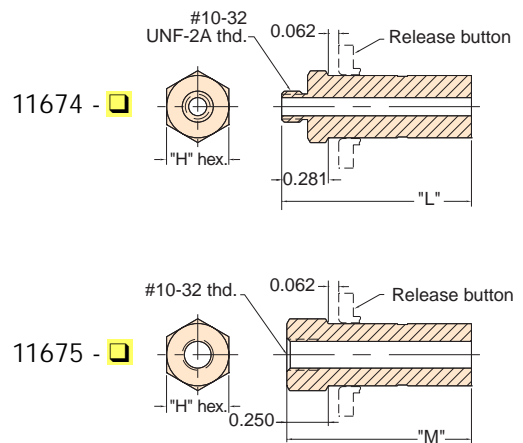
used to plug the port of a Push-Quick Fitting for later use. Used as a temporary plug, they may later be removed and tubing inserted to connect to an additional line of a circuit.

Part No.	Description	Part No.	Description
PQ-PG04	1/8" OD Tube	PQ-PG08	1/4" OD Tube
PQ-PG05	5/32" OD Tube	PQ-PG10	5/16" OD Tube
PQ-PG06M	6 mm OD Tube	PQ-PG12	3/8" OD Tube

Push-Quick Fitting Adapters

Clippard offers a variety of accessories that are designed for use with Push-Quick Fittings. These include special #10-32 threaded adapters in both male (p/n 11674) and female (p/n 11675) thread configurations and adapters that can be used to plug a Push-Quick fitting.

The threaded adapters insert into Push-Quick Fittings and provide either a male or female thread that can be used to mount any Clippard product with a #10-32 threaded inlet. This allows the direct attachment of the product to a Push-Quick Fitting without hoses or additional fittings.



Part Dash #	Tubing Size	"D"	"H"	"L"	"M"	"N"
- 05	5/32"	0.312"	1/4"	0.993"	0.962"	1.212"
- 08	1/4"	0.312"	1/4"	1.003"	0.972"	1.222"
- 12	3/8"	0.437"	3/8"	1.143"	1.112"	1.362"

Figure 1 shows an MAV-3 3-Way Valve connected to a PQ-RT05P Run Tee using a 11674-05 Adapter. In this example, the Run Tee is connected to a 1/8" NPT supply pipe.

Figure 2 shows an IND-1M-WH Pressure Indicator connected to a PQ-TU08 Tee Union using a 11675-08 Adapter. If one of the branches of a Push-Quick Fitting is to be used as a temporary pressure gauge port, the PQ-PGXX series of Plugs can be used when the gauge is not in place. Plugs may also be used if Push-Quick Fitting branches are intended for future additions to the circuit, but have no current need.

Figure 3 shows a PQ-CU Cross Union with one branch plugged with a PQ-PG08 Plug.

