

# PRESSURE ACTUATED SWITCHES



**Medium:** Air

**Inlet Pressure:** 5 to 150 psig

**Pilot Port:** #10-32, 1/8" NPT

**Mounting:** External thread and nut for panel, bracket, or bulkhead mounting,  
5/8 - 32 pressure actuated  
#15/32-32 manually operated

**Accuracy:** Actuation pressures listed are nominal values only. For applications where a tight tolerance for actuation or deactuation is needed, please contact Clippard.



**SAS** Sub-Miniature Air Switch  
**MAS** Miniature Air Switch

**Design Series**

**Switch Current Rating:**

**SAS**  
**A** 5A @ 125/250 VAC  
3A @ 30 VDC/.1A 60 VDC  
**X** no switch

**MAS**  
**B** 3A @ 125/250 VAC  
3A @ 30 VDC  
**C** 10A @ 125/250 VAC  
5A @ 50 VDC

**Switch Terminals:**

**SAS:** **0** no switch  
**1** 110 series Q.C.

**MAS:** **0** no switch  
**2** 187 series Q.C.  
**3** screw terminals

**Nominal Actuation Pressure\***

**06** 6 psig  
**20** 20 psig  
**40** 41 psig  
**65** 65 psig  
**MN** Manual

**Inlet Port:**

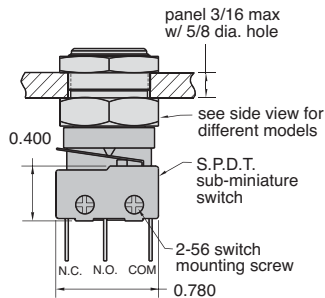
**Blank** #10-32 thd  
**F** 1/8" NPT female  
**P** 1/8" NPT male

\*Actuation pressure is nominal only. For applications where accuracy is critical, please contact Clippard.

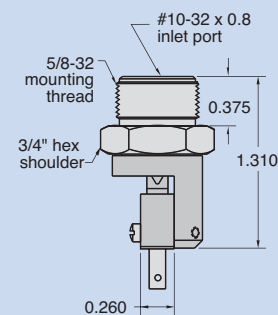
Pressure Actuated

Mechanically Actuated

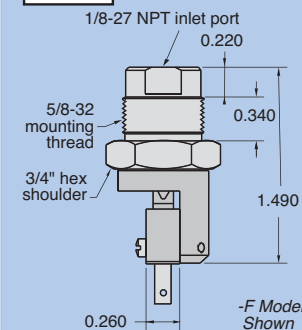
## SAS Model



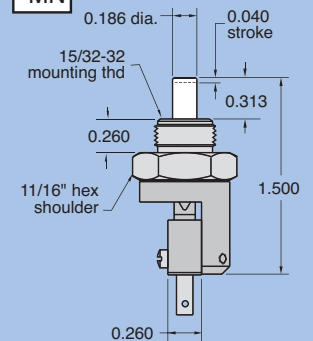
## STD. & -M5



## -F & -P



## -MN



## MAS Model

