



**MML-3W**  
Lubricator with  
Bowl Shield



**MML-2P**  
Lubricator with  
Polycarbonate  
Bowl



**MML-2Q-M**  
Lubricator with  
Metal Bowl

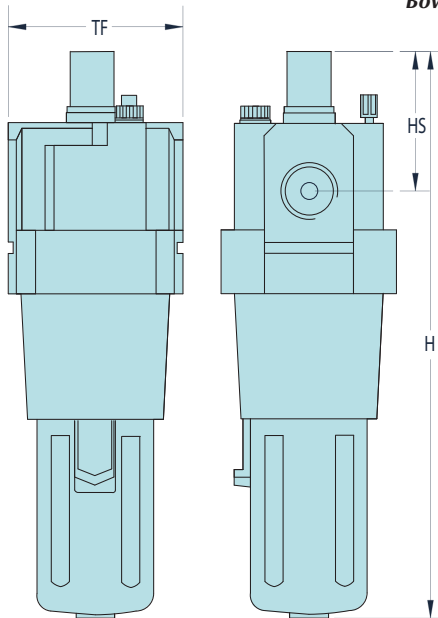
These inexpensive direct-flow lubricators provide lubrication to downstream valves and actuators

**Bowl:** Polycarbonate standard. Steel bowl shield provided on models as indicated. Metal bowl with sight glass also available, add “-M” to the Part Number.

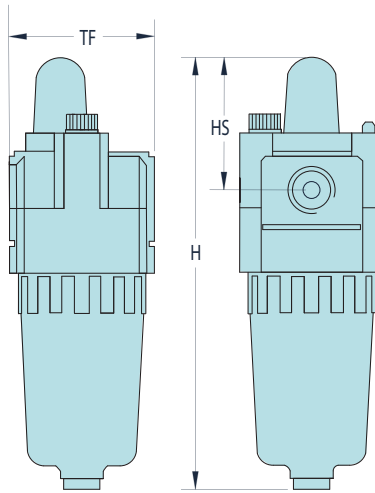


### Mounting Hardware

For a complete offering of mounting hardware, spacers, replacement bowls and other accessories, see pages 351 through 354.



MML-3, MML-4 & MML-5 Series



MML-1 & MML-2 Series

### Lubricator Bowl Fluid Capacity

Model	Bowl #	Capacity
MML-2	<a href="#">27057-2</a>	0.8 oz./24 ml (cc)
MML-3	<a href="#">27057-3</a>	2.3 oz./68 ml (cc)
MML-4	<a href="#">27057-4</a>	6.2 oz./183 ml (cc)

### Lubricator Oil Drip Dome Kits

Includes glass dome, drip tube & o-ring.

MML-1	<a href="#">27037-1</a>
MML-2	<a href="#">27037-2</a>
MML-3/4/5	<a href="#">27037-3</a>

Port	Flow Rate		Polycarbonate Bowl	Poly Bowl with Shield	Metal Bowl	Dimensions		
						H	HS	TF
#10-32	3 scfm	90 l/min	<a href="#">MML-1N</a>			3.21	1.00	0.98
1/8" NPT	28 scfm	800 l/min	<a href="#">MML-2P</a>		<a href="#">MML-2P-M</a>	4.80	1.50	1.57
1/4" NPT	28 scfm	800 l/min	<a href="#">MML-2Q</a>		<a href="#">MML-2Q-M</a>	4.80	1.50	1.57
1/4" NPT	60 scfm	1,700 l/min	-	<a href="#">MML-3Q</a>	<a href="#">MML-3Q-M</a>	5.59	1.50	2.09
3/8" NPT	60 scfm	1,700 l/min	-	<a href="#">MML-3W</a>	<a href="#">MML-3W-M</a>	5.59	1.50	2.09
3/8" NPT	180 scfm	5,000 l/min	-	<a href="#">MML-4W</a>	<a href="#">MML-4W-M</a>	6.97	1.61	2.76
1/2" NPT	180 scfm	5,000 l/min	-	<a href="#">MML-4Z</a>	<a href="#">MML-4Z-M</a>	6.97	1.61	2.76
3/4" NPT	220 scfm	6,300 l/min	-	<a href="#">MML-4A</a>	<a href="#">MML-4A-M</a>	6.97	1.54	2.76
1" NPT	245 scfm	7,000 l/min	-	<a href="#">MML-5B</a>	<a href="#">MML-5B-M</a>	0.00	1.77	3.54