

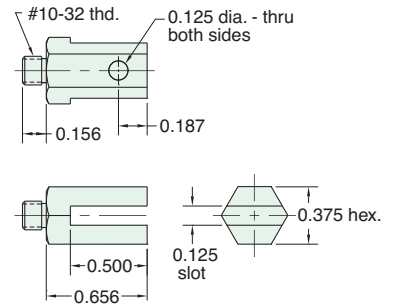
# 9/16" BORE MOUNTING BRACKETS



## 11996

Male Clevis

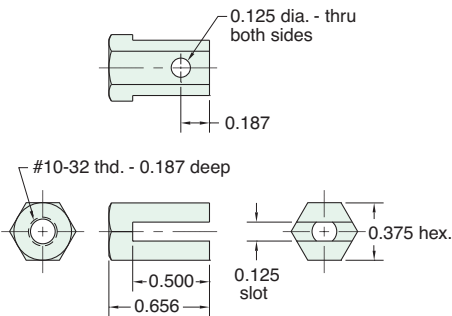
Mounts in rear of cylinder tapped #10-32



## 15009

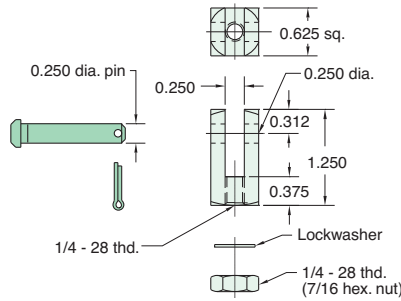
Female Clevis

For use with cylinders having #10-32 threaded shaft



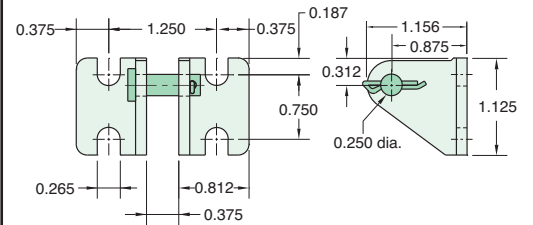
## 15015

Rod Clevis Assembly



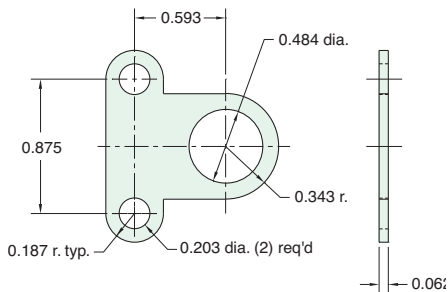
## CB-1795

Clevis Bracket  
Material: Steel, bright zinc plated



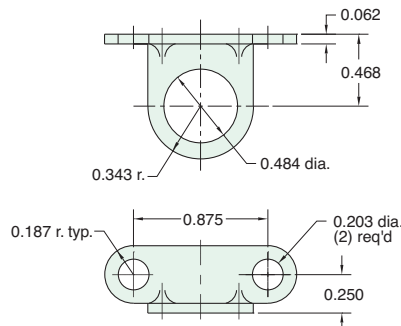
## 11917-1

Mounting Bracket (flat)



## 11918-1

Mounting Bracket (angled)



## 15018-2

Foot Bracket (angled)

