

3" BORE STAINLESS STEEL CYLINDER



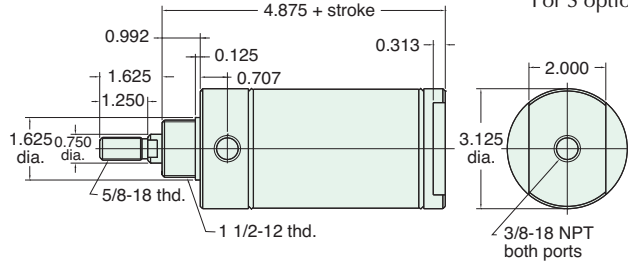
SDR-48-□-□

Double Acting

Mount: Stud **Standard Stroke Lengths:** 1", 2", 3", 4", 5", 6"
Type: Rotating Rod **Maximum Stroke:** 34"
Options: M, W, V, N, S, P6, P7, P8

Bumpers are standard
 No additional length for bumpers

For S option add 0.437



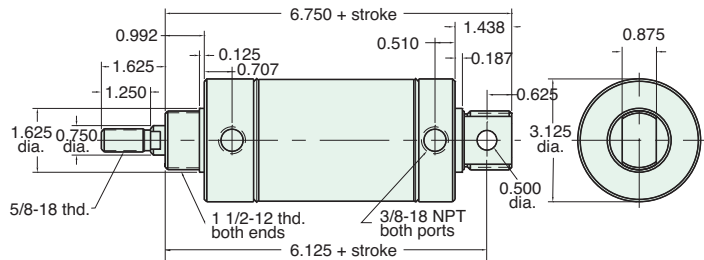
Nut included, but not shown on drawing

UDR-48-□-□

Double Acting

Mount: Universal **Standard Stroke Lengths:** 1", 2", 3", 4", 5", 6", 7", 8", 10", 12"
Type: Rotating Rod **Maximum Stroke:** 32"
Options: M, W, V, N, P2, P3, P4, P5, P6, P7, P8

Bumpers are standard
 No additional length for bumpers



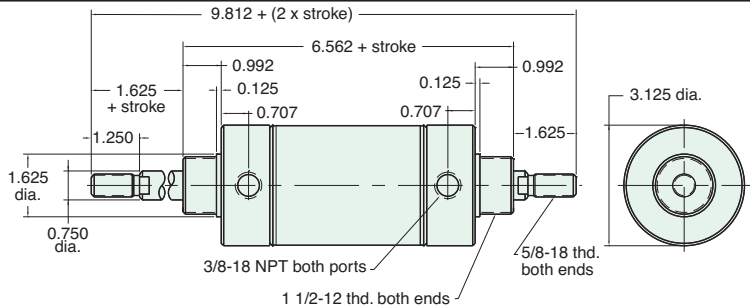
Furnished without nut(s). See Chart on Page 63.

SDD-48-□-□

Double Acting

Mount: Stud **Standard Stroke Lengths:** 1", 2", 3", 4", 5", 6", 8", 10", 12"
Type: Double Rod **Maximum Stroke:** 15"
Options: M, W, V, N, P6, P7, P8

Bumpers are standard
 No additional length for bumpers



Nuts included, but not shown on drawing

Did you know...

Minimatic®, Maximatic®, Minimetric®, Fluidamp®, Octoport®, Air-2-Electric® and Air Force One® are all Clippard registered trademarks.

