



# 1 1/2" BORE ACCESSORIES



## MOUNTING NUTS

### Stud Nut

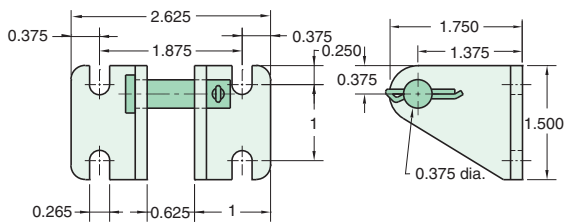
Part Number	Across Flats	Nut Thickness	Nut (Thread)
<b>N12-16</b>	1 3/32"	27/64"	3/4-16

### Rod Nut

Part Number	Across Flats	Nut Thickness	Nut (Thread)
<b>N07-20</b>	11/16"	1/4"	7/16-20

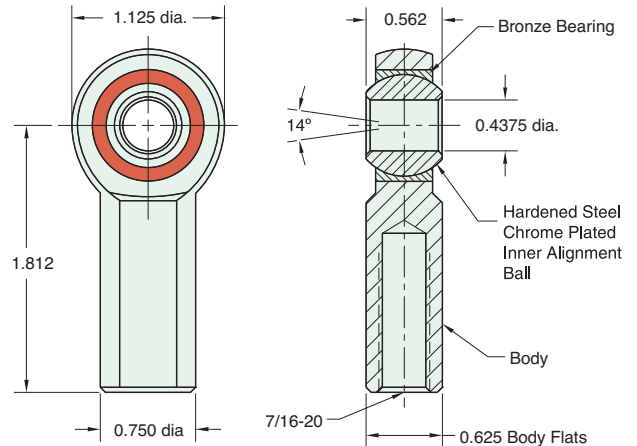
### CB-2495

Clevis Bracket  
Material: Steel, bright zinc plated



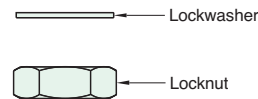
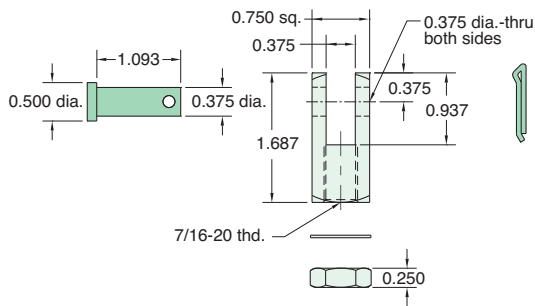
### RE-2485

Rod End  
Material: Steel, bright zinc plated body



### RC-2481

Rod Clevis  
Material: Steel, electroless nickel plate



Max. Static Radial Load (rod end only): 4,300 lbs.  
Fits Rod Thread Size: 7/16-20

### FB-2491

Foot Bracket  
Material: Steel, bright zinc plated

