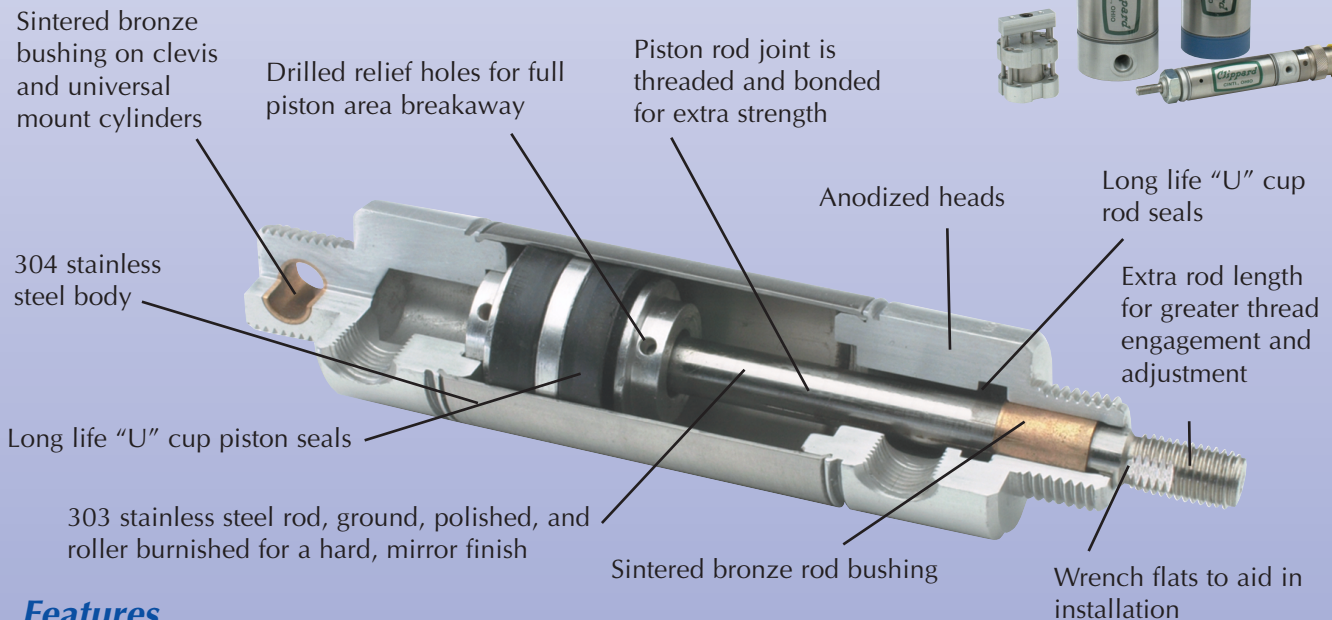


Clippard

Stainless Steel Cylinders

Add a stroke of genius
to your next design



Features

- Polished ID 304 stainless steel tubes for low breakaway
- Precision rolled construction for a solid, leak proof cylinder at a reasonable price
- Machined aluminum, clear anodized heads for extra protection against corrosion
- Cylinder heads machined from one side for better concentricity
- 303 stainless steel rods provide a smoother rod finish that protects rod seals for longer life
- Full piston area breakaway to assure full power from the beginning of each stroke
- Buna-N "U"-cup piston seals for full power, low friction and trouble free performance
- Buna-N "U"-cup rod seals for leakproof operation
- Temperature range: -32°F to 180°F
- Maximum pressure: 250 psig

Our cylinders are manufactured using the highest quality methods and materials. Are your cylinders?

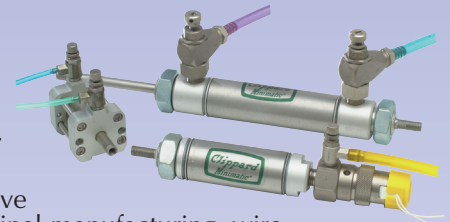
Applications

Transportation - Throttle control, bus and train doors, window operators, trailer locks, tanker valve actuators, hydraulic valve actuators, drag car transmissions, automobile lifts.

Packaging - Case packers, diverter gates, cappers, product stops, baggers, weighing machines, sealers, palletizers.

Apparel - Shoe manufacturing, dry cleaning conveyors, commercial laundry equipment, needle positioners, foot lifters, thread cut off, placarding, button holes / sewing, belt loopers, indexing, cuff positioning.

Electronic / Electrical - Cassette and CD ROM handling, wafer handling, valve actuators, wire tie applicators, soldering equipment, ultrasonic welders, terminal manufacturing, wire harness assembly equipment.



Your One Stop Source for
Miniature Fluid Power Products

Clippard Instrument Laboratory, Inc. • 7390 Colerain Avenue • Cincinnati, Ohio 45239
513-521-4261 • www.clippard.com